


Interface Modules

Interface Modules

| | Page |
|---|---|
|  | Interface Modules, for D-Sub/HD D-Sub Connectors Male Connectors, for Mating Connectors with Solder Connection, 289 Series 435 Male Connectors, for Mating IDC Connectors, 289 Series 438 Female Connectors, for Mating Connectors with Solder Connection, 289 Series 441 Female Connectors, for Mating IDC Connectors, 289 Series 445 |
| | Interface Modules, for Connectors per DIN 41651 289 Series 446 |
| | Interface Modules, for Connectors per DIN 41612 289 Series 450 |
| | Interface Modules, for RJ-45 Connectors RJ-45, 289 Series 454 RJ-45, with Power Contacts, 289 Series 457 |
| | Connection Modules, for Sensors and Actuators 289 Series 460 |

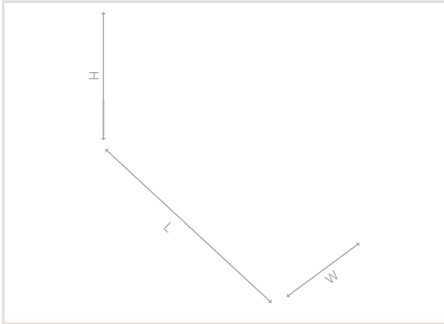
Interface Modules for D-Sub/HD D-Sub Connectors

Male Connectors, 289 Series



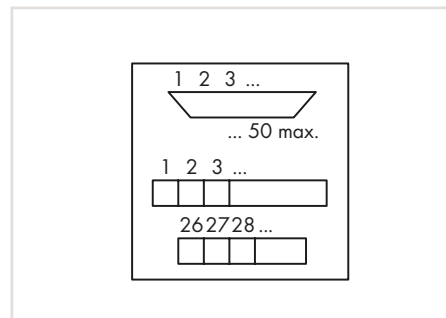
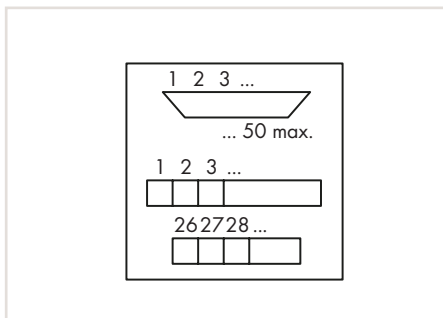
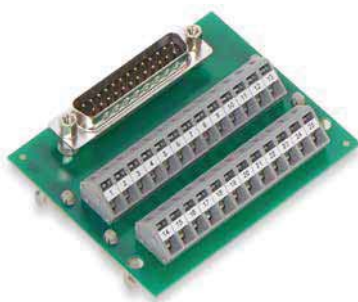
Technical Data

| | |
|-------------------------------|--|
| Connector contact | Au over Ni |
| Pull relief stud bolt | UNC 4-40 |
| Ambient operating temperature | -20 ... +50 °C |
| Storage temperature | -40 ... +70 °C |
| Relative humidity | Max. 85 % (no condensation) |
| Strip length | 5 ... 6 mm / 0.2 ... 0.24 inch |
| Conductor range | 0.08 mm ² ... 2.5 mm ² / 28 ... 12 AWG |



Interface Modules for D-Sub/HD D-Sub Connectors

Male Connectors, for Mating Connectors with Solder Connection, 289 Series



***Notice:**
Live parts are likely to be touched! Protection against direct contact must be provided by the equipment builder, e.g., using a 709 Series WAGO Cover (see Accessories) or a similar cover. The installation requirements for the particular application must be observed.

Interface module, with D-subminiature male connector, for mating connectors with solder connection, vertical insertion, double-row PCB terminal blocks, with mounting feet

| Pole No. | Width | Item No. | Pack. Unit |
|----------|-------|----------|------------|
| 9 | 38,0 | 289-445 | 1 |
| 15 | 53,5 | 289-446 | 1 |
| 25 | 79,0 | 289-447 | 1 |
| 37 | 120,0 | 289-448 | 1 |
| 50 | 157,0 | 289-449 | 1 |

Interface module, with D-subminiature male connector, for mating connectors with solder connection, vertical insertion, double-row PCB terminal blocks, mounting carrier

| Pole No. | Width | Item No. | Pack. Unit |
|----------|-------|----------|------------|
| 9 | 38,0 | 289-545 | 1 |
| 15 | 46,0 | 289-546 | 1 |
| 25 | 72,0 | 289-547 | 1 |
| 37 | 102,0 | 289-548 | 1 |
| 50 | 94,0 | 289-549 | 1 |

6

Technical Data

| | |
|--|---|
| Operating voltage | 30 VAC/50 VDC |
| Nominal current | 1 A |
| Contact resistance | ≤ 30 mΩ |
| Performance level | 2 / 200 mating cycles |
| Nominal voltage | 50 V |
| Rated surge voltage | 0.8 kV |
| Pollution degree | 2 |
| Protection type | IP00* |
| Dimensions incl. mounting carrier or feet (mm) W x H x D | W x 19 x 63.5, height from upper-edge of DIN-rail |
| Connection technology | CAGE CLAMP® (WAGO 236 Series) |

| | |
|--|---|
| Operating voltage | 100 VAC/125 VDC |
| Nominal current | 2 A |
| Contact resistance | ≤ 30 mΩ |
| Performance level | 2 / 200 mating cycles |
| Nominal voltage | 100 V |
| Rated surge voltage | 0.8 kV |
| Pollution degree | 2 |
| Protection type | IP20 |
| Dimensions incl. mounting carrier or feet (mm) W x H x D | W x 34 x 85, height from upper-edge of DIN-rail |
| Connection technology | CAGE CLAMP® (WAGO 236 Series) |

| | |
|--|---|
| Operating voltage | 100 VAC/125 VDC |
| Nominal current | 2 A |
| Contact resistance | ≤ 30 mΩ |
| Performance level | 2 / 200 mating cycles |
| Nominal voltage | 100 V |
| Rated surge voltage | 0.8 kV |
| Pollution degree | 2 |
| Protection type | IP20 |
| Dimensions incl. mounting carrier or feet (mm) W x H x D | W x 34 x 85, height from upper-edge of DIN-rail |
| Connection technology | CAGE CLAMP® (WAGO 236 Series) |

Accessories

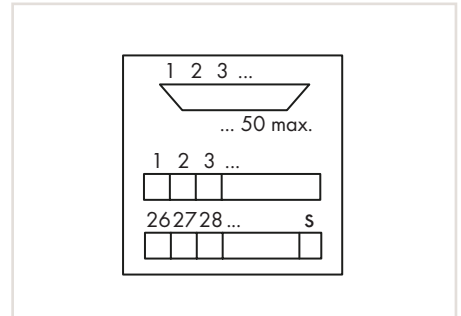
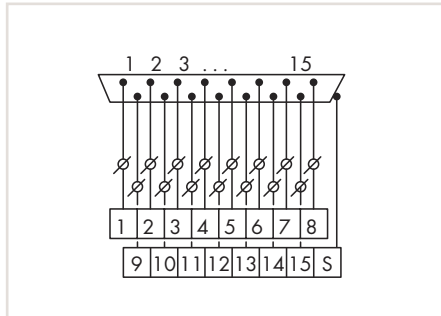
| | | | |
|---------------------------------------|--|--|--|
| Marker strips for mounting carrier | | | |
| Cover carrier, type 1 (57.5 x 128 mm) | | | |
| Cover, transparent, type 1, 1 m long | | | |

| Color | Item No. | Pack. Unit |
|-------|----------|------------|
| white | 709-198 | 1 |
| | 709-167 | 10 |
| | 709-153 | 10 |

| Color | Item No. | Pack. Unit |
|-------|----------|------------|
| white | 709-198 | 1 |
| | | |
| | | |

Interface Modules for D-Sub/HD D-Sub Connectors

Male Connectors, for Mating Connectors with Solder Connection, 289 Series



***Notice:**
Live parts are likely to be touched! Protection against direct contact must be provided by the equipment builder, e.g., using a 709 Series WAGO Cover (see Accessories) or a similar cover. The installation requirements for the particular application must be observed.

Interface module, with D-subminiature male connector, double-row PCB terminal blocks, mounting carrier, with solder pin

| Pole No. | Width | Item No. | Pack. Unit |
|----------|-------|----------|------------|
| 9 | 33,5 | 289-720 | 1 |
| 15 | 43,5 | 289-721 | 1 |

One solder pin per pole is available for testing and patching (except for shield contact).

Interface module, with D-subminiature male connector, for mating connectors with solder connection, vertical insertion, double-row PCB terminal blocks, mounting carrier, with shield connection

| Pole No. | Width | Item No. | Pack. Unit |
|----------|-------|----------|------------|
| 9 | 38,5 | 289-585 | 1 |
| 15 | 46 | 289-586 | 1 |
| 25 | 71,5 | 289-587 | 1 |
| 37 | 102 | 289-588 | 1 |

Technical Data

| | |
|--|---|
| Operating voltage | 30 VAC/50 VDC |
| Nominal current | 2 A |
| Contact resistance | ≤ 30 mΩ |
| Performance level | 2 / 200 mating cycles |
| Nominal voltage | 50 V |
| Rated surge voltage | 0.8 kV |
| Pollution degree | 2 |
| Protection type | IP00* |
| Dimensions incl. mounting carrier or feet (mm) W x H x D | W x 48 x 85, height from upper-edge of DIN-rail |
| Connection technology | CAGE CLAMP® (WAGO 736 Series) |

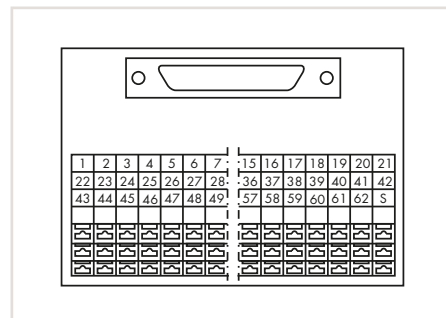
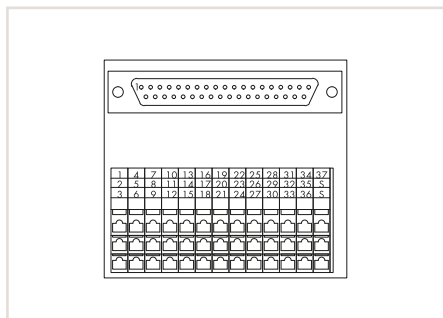
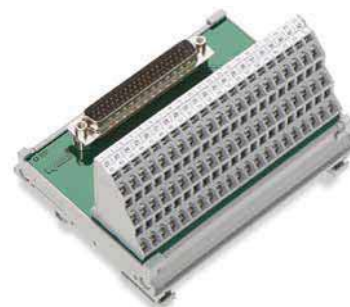
| | |
|--|---|
| Operating voltage | 100 VAC/125 VDC |
| Nominal current | 2 A |
| Contact resistance | ≤ 30 mΩ |
| Performance level | 2 / 200 mating cycles |
| Nominal voltage | 100 V |
| Rated surge voltage | 0.8 kV |
| Pollution degree | 2 |
| Protection type | IP20 |
| Dimensions incl. mounting carrier or feet (mm) W x H x D | W x 34 x 85, height from upper-edge of DIN-rail |
| Connection technology | CAGE CLAMP® (WAGO 236 Series) |

Accessories

| | | | |
|---------------------------------------|-------|----------|------------|
| Marker strips for mounting carrier | Color | Item No. | Pack. Unit |
| | white | 709-198 | 1 |
| Cover carrier, type 1 (57.5 x 128 mm) | | 709-167 | 10 |
| Cover, transparent, type 1, 1 m long | | 709-153 | 10 |

| | | | |
|------------------------------------|-------|----------|------------|
| Marker strips for mounting carrier | Color | Item No. | Pack. Unit |
| | white | 709-198 | 1 |

| | | | |
|------------------------------------|-------|----------|------------|
| Marker strips for mounting carrier | Color | Item No. | Pack. Unit |
| | white | 709-198 | 1 |



Interface module, with D-subminiature male connector, for mating connectors with solder connection, vertical insertion, triple-deck PCB terminal blocks, mounting carrier, with shield connection

| Pole No. | Width | Item No. | Pack. Unit |
|----------|-------|----------|------------|
| 25 | 56,0 | 289-620 | 1 |
| 37 | 74,0 | 289-621 | 1 |

Interface module, with HD D-subminiature male connector, triple-deck PCB terminal blocks, mounting carrier

| Pole No. | Width | Item No. | Pack. Unit |
|----------|-------|----------|------------|
| 15 | 35,0 | 289-714 | 1 |
| 62 | 108,0 | 289-710 | 1 |

6

Technical Data

| | |
|--|---|
| Operating voltage | 100 VAC/125 VDC |
| Nominal current | 2 A |
| Contact resistance | ≤ 30 mΩ |
| Performance level | 2 / 200 mating cycles |
| Nominal voltage | 100 V |
| Rated surge voltage | 0.8 kV |
| Pollution degree | 2 |
| Protection type | IP20 |
| Dimensions incl. mounting carrier or feet (mm) W x H x D | W x 62 x 85, height from upper-edge of DIN-rail |
| Connection technology | CAGE CLAMP® (WAGO 737 Series) |

| | |
|--|---|
| Operating voltage | 100 VAC/125 VDC |
| Nominal current | 1 A |
| Contact resistance | ≤ 15 mΩ |
| Performance level | 3 / 50 mating cycles |
| Nominal voltage | 100 V |
| Rated surge voltage | 0.8 kV |
| Pollution degree | 2 |
| Protection type | IP20 |
| Dimensions incl. mounting carrier or feet (mm) W x H x D | W x 62 x 85, height from upper-edge of DIN-rail |
| Connection technology | CAGE CLAMP® (WAGO 737 Series) |

| | |
|--|---|
| Operating voltage | 100 VAC/125 VDC |
| Nominal current | 1 A |
| Contact resistance | ≤ 15 mΩ |
| Performance level | 3 / 50 mating cycles |
| Nominal voltage | 100 V |
| Rated surge voltage | 0.8 kV |
| Pollution degree | 2 |
| Protection type | IP20 |
| Dimensions incl. mounting carrier or feet (mm) W x H x D | W x 62 x 85, height from upper-edge of DIN-rail |
| Connection technology | CAGE CLAMP® (WAGO 737 Series) |

Accessories

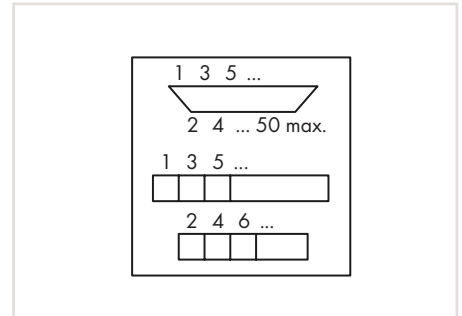
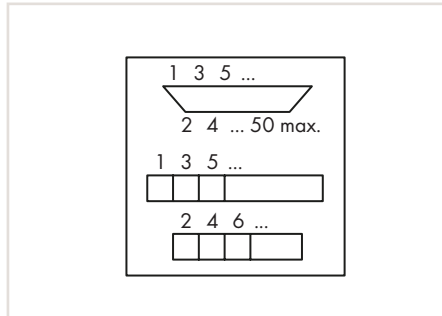
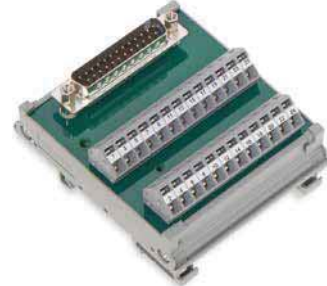
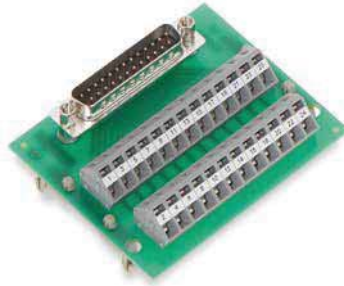
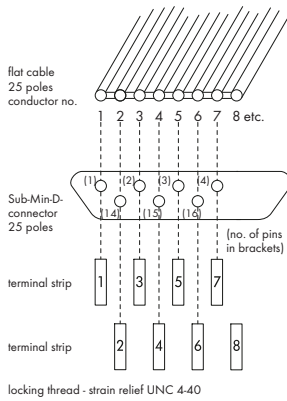
| | |
|------------------------------------|--|
| Marker strips for mounting carrier | |
|------------------------------------|--|

| Color | Item No. | Pack. Unit |
|-------|----------|------------|
| white | 709-198 | 1 |

| Color | Item No. | Pack. Unit |
|-------|----------|------------|
| white | 709-198 | 1 |

Interface Modules for D-Sub/HD D-Sub Connectors

Male Connectors, with IDC, 289 Series



***Notice:**
Live parts are likely to be touched! Protection against direct contact must be provided by the equipment builder, e.g., using a 709 Series WAGO Cover (see Accessories) or a similar cover. The installation requirements for the particular application must be observed.

Interface module, with D-subminiature male connector, for mating connectors with IDC, vertical insertion, double-row PCB terminal blocks, with mounting feet

| Pole No. | Width | Item No. | Pack. Unit |
|----------|-------|----------|------------|
| 9 | 38,0 | 289-440 | 1 |
| 15 | 53,5 | 289-441 | 1 |
| 25 | 79,0 | 289-442 | 1 |
| 37 | 120,0 | 289-443 | 1 |
| 50 | 157,0 | 289-444 | 1 |

Interface module, with D-subminiature male connector, for mating connectors with IDC, vertical insertion, triple-row PCB terminal blocks, mounting carrier

| Pole No. | Width | Item No. | Pack. Unit |
|----------|-------|----------|------------|
| 9 | 38,0 | 289-540 | 1 |
| 15 | 46,0 | 289-541 | 1 |
| 25 | 72,0 | 289-542 | 1 |
| 37 | 102,0 | 289-543 | 1 |
| 50 | 94,0 | 289-544 | 1 |

Technical Data

| | |
|--|---|
| Operating voltage | 30 VAC/50 VDC |
| Nominal current | 1 A |
| Contact resistance | ≤ 30 mΩ |
| Performance level | 2 / 200 mating cycles |
| Nominal voltage | 50 V |
| Rated surge voltage | 0.8 kV |
| Pollution degree | 2 |
| Protection type | IP00* |
| Dimensions incl. mounting carrier or feet (mm) W x H x D | W x 19 x 63.5, height from upper-edge of DIN-rail |
| Connection technology | CAGE CLAMP® (WAGO 236 Series) |

| | |
|--|---|
| Operating voltage | 100 VAC/125 VDC |
| Nominal current | 2 A |
| Contact resistance | ≤ 30 mΩ |
| Performance level | 2 / 200 mating cycles |
| Nominal voltage | 100 V |
| Rated surge voltage | 0.8 kV |
| Pollution degree | 2 |
| Protection type | IP20 |
| Dimensions incl. mounting carrier or feet (mm) W x H x D | W x 34 x 85, height from upper-edge of DIN-rail |
| Connection technology | CAGE CLAMP® (WAGO 236 Series) |

Accessories

| | |
|---------------------------------------|--|
| Marker strips for mounting carrier | |
| Cover carrier, type 1 (57.5 x 128 mm) | |
| Cover, transparent, type 1, 1 m long | |

| Color | Item No. | Pack. Unit |
|-------|----------|------------|
| white | 709-198 | 1 |
| | 709-167 | 10 |
| | 709-153 | 10 |

| Color | Item No. | Pack. Unit |
|-------|----------|------------|
| white | 709-198 | 1 |

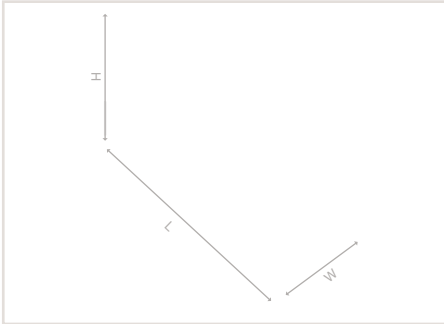
Interface Modules for D-Sub/HD D-Sub Connectors

Female Connector, 289 Series



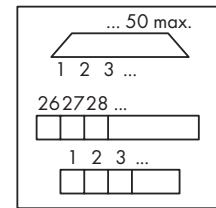
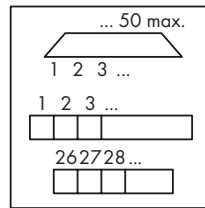
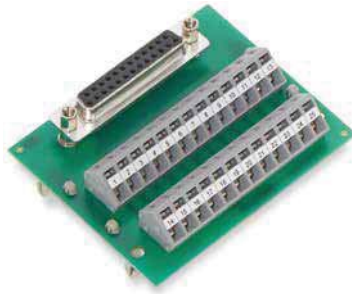
Technical Data

| | |
|-------------------------------|--|
| Connector contact | Au over Ni |
| Pull relief stud bolt | UNC 4-40 |
| Ambient operating temperature | -20 ... +50 °C |
| Storage temperature | -40 ... +70 °C |
| Relative humidity | Max. 85 % (no condensation) |
| Strip length | 5 ... 6 mm / 0.2 ... 0.24 inch |
| Conductor range | 0.08 mm ² ... 2.5 mm ² / 28 ... 12 AWG |



Interface Modules for D-Sub/HD D-Sub Connectors

Female Connectors, for Mating Connectors with Solder Connection, 289 Series



*Notice:

Live parts are likely to be touched! Protection against direct contact must be provided by the equipment builder, e.g., using a 709 Series WAGO Cover (see Accessories) or a similar cover. The installation requirements for the particular application must be observed.

Interface module, with D-subminiature female connector, for mating connectors with solder connection, vertical insertion, double-row PCB terminal blocks, with mounting feet

| Pole No. | Width | Item No. | Pack. Unit |
|----------|-------|----------|------------|
| 9 | 38,0 | 289-455 | 1 |
| 15 | 53,5 | 289-456 | 1 |
| 25 | 79,0 | 289-457 | 1 |
| 37 | 120,0 | 289-458 | 1 |
| 50 | 157,0 | 289-459 | 1 |

Interface module, with D-subminiature female connector, for mating connectors with solder connection, vertical insertion, double-row PCB terminal blocks, mounting carrier

| Pole No. | Width | Item No. | Pack. Unit |
|----------|-------|----------|------------|
| 9 | 38,0 | 289-555 | 1 |
| 15 | 46,0 | 289-556 | 1 |
| 25 | 72,0 | 289-557 | 1 |
| 37 | 102,0 | 289-558 | 1 |
| 50 | 94,0 | 289-559 | 1 |

Technical Data

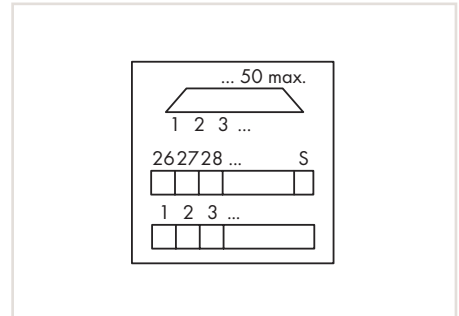
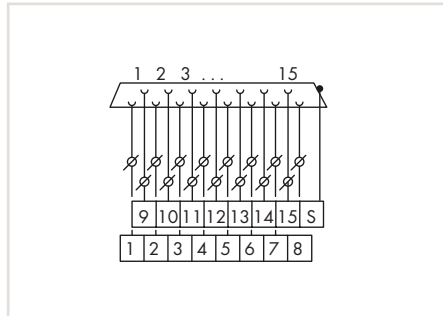
| | | |
|--|---|---|
| Operating voltage | 30 VAC/50 VDC | 100 VAC/125 VDC |
| Nominal current | 1 A | 2 A |
| Contact resistance | ≤ 30 mΩ | ≤ 30 mΩ |
| Performance level | 2 / 200 mating cycles | 2 / 200 mating cycles |
| Nominal voltage | 50 V | 100 V |
| Rated surge voltage | 0.8 kV | 0.8 kV |
| Pollution degree | 2 | 2 |
| Protection type | IP00* | IP20 |
| Dimensions incl. mounting carrier or feet (mm) W x H x D | B x 19 x 63.5, height from upper-edge of DIN-rail | W x 34 x 85, height from upper-edge of DIN-rail |
| Connection technology | CAGE CLAMP® (WAGO 236 Series) | CAGE CLAMP® (WAGO 236 Series) |

Accessories

| | | | | | | |
|---------------------------------------|-------|----------|------------|-------|----------|------------|
| Marker strips for mounting carrier | Color | Item No. | Pack. Unit | Color | Item No. | Pack. Unit |
| | white | 709-198 | 1 | white | 709-198 | 1 |
| Cover carrier, type 1 (57.5 x 128 mm) | | 709-167 | 10 | | | |
| Cover, transparent, type 1, 1 m long | | 709-153 | 10 | | | |

Interface Modules for D-Sub/HD D-Sub Connectors

Female Connectors, for Mating Connectors with Solder Connection, 289 Series



***Notice:**
Live parts are likely to be touched! Protection against direct contact must be provided by the equipment builder, e.g., using a 709 Series WAGO Cover (see Accessories) or a similar cover. The installation requirements for the particular application must be observed.

Interface module, with D-subminiature female connector, double-deck PCB terminal blocks, mounting carrier, with solder pin

| Pole No. | Width | Item No. | Pack. Unit |
|----------|-------|----------|------------|
| 9 | 33,5 | 289-725 | 1 |
| 15 | 43,5 | 289-726 | 1 |

One solder pin per pole is available for testing and patching (except for shield contact).

Interface module, with D-subminiature female connector, for mating connectors with solder connection, vertical insertion, double-row PCB terminal blocks, mounting carrier, with shield connection

| Pole No. | Width | Item No. | Pack. Unit |
|----------|-------|----------|------------|
| 9 | 33,0 | 289-575 | 1 |
| 15 | 43,0 | 289-576 | 1 |
| 25 | 68,5 | 289-577 | 1 |
| 37 | 99,0 | 289-578 | 1 |

Technical Data

| | |
|--|---|
| Operating voltage | 30 VAC/50 VDC |
| Nominal current | 2 A |
| Contact resistance | ≤ 30 mΩ |
| Performance level | 2 / 200 mating cycles |
| Nominal voltage | 50 V |
| Rated surge voltage | 0.8 kV |
| Pollution degree | 2 |
| Protection type | IP00* |
| Dimensions incl. mounting carrier or feet (mm) W x H x D | W x 48 x 85, height from upper-edge of DIN-rail |
| Connection technology | CAGE CLAMP® (WAGO 736 Series) |

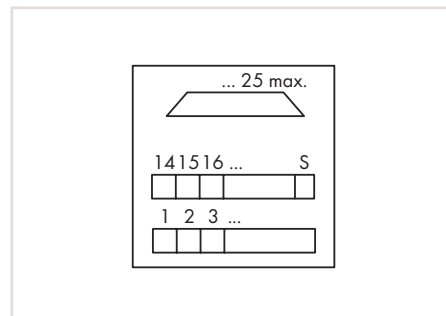
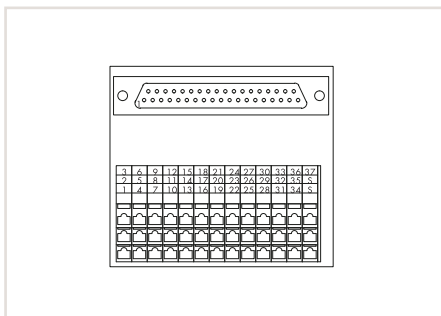
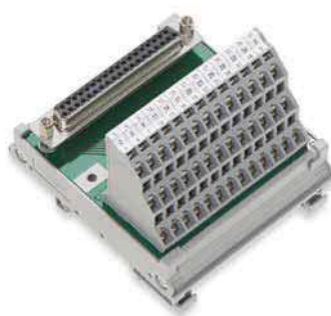
| | |
|--|---|
| Operating voltage | 100 VAC/125 VDC |
| Nominal current | 2 A |
| Contact resistance | ≤ 30 mΩ |
| Performance level | 2 / 200 mating cycles |
| Nominal voltage | 100 V |
| Rated surge voltage | 0.8 kV |
| Pollution degree | 2 |
| Protection type | IP20 |
| Dimensions incl. mounting carrier or feet (mm) W x H x D | W x 34 x 85, height from upper-edge of DIN-rail |
| Connection technology | CAGE CLAMP® (WAGO 236 Series) |

Accessories

| | | | |
|---------------------------------------|-------|----------|------------|
| Marker strips for mounting carrier | Color | Item No. | Pack. Unit |
| | white | 709-198 | 1 |
| Cover carrier, type 1 (57.5 x 128 mm) | | 709-167 | 10 |
| Cover, transparent, type 1, 1 m long | | 709-153 | 10 |

| | | | |
|------------------------------------|-------|----------|------------|
| Marker strips for mounting carrier | Color | Item No. | Pack. Unit |
| | white | 709-198 | 1 |

| | | | |
|------------------------------------|-------|----------|------------|
| Marker strips for mounting carrier | Color | Item No. | Pack. Unit |
| | white | 709-198 | 1 |



Interface module, with D-subminiature female connector, for mating connectors with solder connection, vertical insertion, triple-deck PCB terminal blocks, mounting carrier, with shield connection

| Pole No. | Width | Item No. | Pack. Unit |
|----------|-------|----------|------------|
| 25 | 56,0 | 289-623 | 1 |
| 37 | 74,0 | 289-624 | 1 |

Interface module, with D-subminiature female connector, double-deck PCB terminal blocks, mounting carrier, with shield connection

| Pole No. | Width | Item No. | Pack. Unit |
|----------|-------|----------|------------|
| 9 | 33,0 | 289-650 | 1 |
| 25 | 68,5 | 289-652 | 1 |

6

Technical Data

| | |
|--|---|
| Operating voltage | 100 VAC/125 VDC |
| Nominal current | 2 A |
| Contact resistance | ≤ 30 mΩ |
| Performance level | 2 / 200 mating cycles |
| Nominal voltage | 100 V |
| Rated surge voltage | 0.8 kV |
| Pollution degree | 2 |
| Protection type | IP20 |
| Dimensions incl. mounting carrier or feet (mm) W x H x D | W x 62 x 85, height from upper-edge of DIN-rail |
| Connection technology | CAGE CLAMP® (WAGO 737 Series) |

| | |
|--|---|
| Operating voltage | 100 VAC/125 VDC |
| Nominal current | 2 A |
| Contact resistance | ≤ 30 mΩ |
| Performance level | 2 / 200 mating cycles |
| Nominal voltage | 100 V |
| Rated surge voltage | 0.8 kV |
| Pollution degree | 2 |
| Protection type | IP20 |
| Dimensions incl. mounting carrier or feet (mm) W x H x D | W x 48 x 85, height from upper-edge of DIN-rail |
| Connection technology | CAGE CLAMP® (WAGO 736 Series) |

| | |
|--|---|
| Operating voltage | 100 VAC/125 VDC |
| Nominal current | 2 A |
| Contact resistance | ≤ 30 mΩ |
| Performance level | 2 / 200 mating cycles |
| Nominal voltage | 100 V |
| Rated surge voltage | 0.8 kV |
| Pollution degree | 2 |
| Protection type | IP20 |
| Dimensions incl. mounting carrier or feet (mm) W x H x D | W x 48 x 85, height from upper-edge of DIN-rail |
| Connection technology | CAGE CLAMP® (WAGO 736 Series) |

Accessories

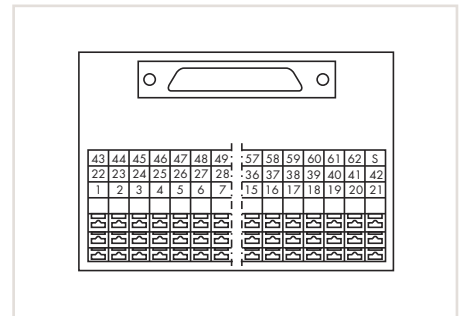
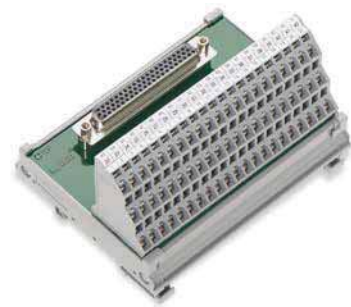
| | | | |
|------------------------------------|--|--|--|
| Marker strips for mounting carrier | | | |
|------------------------------------|--|--|--|

| Color | Item No. | Pack. Unit |
|-------|----------|------------|
| white | 709-198 | 1 |

| Color | Item No. | Pack. Unit |
|-------|----------|------------|
| white | 709-198 | 1 |

Interface Modules for D-Sub/HD D-Sub Connectors

Female Connector, for Mating Connectors with Solder Connection, 289 Series



Interface module,
with HD D-subminiature female connector,
triple-deck PCB terminal blocks,
mounting carrier

| Pole No. | Width | Item No. | Pack. Unit |
|----------|-------|----------|------------|
| 15 | 35 | 289-713 | 1 |
| 44 | 79 | 289-707 | 1 |
| 62 | 108 | 289-708 | 1 |

Technical Data

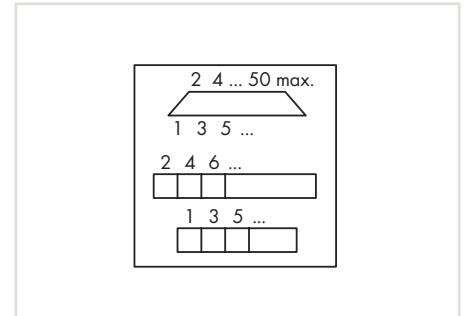
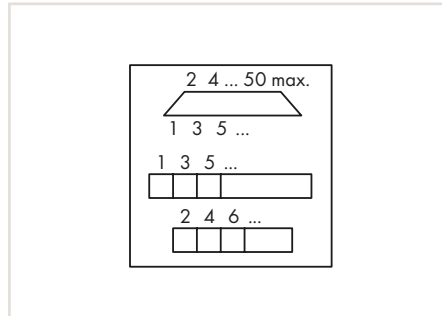
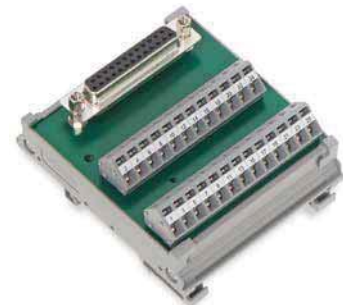
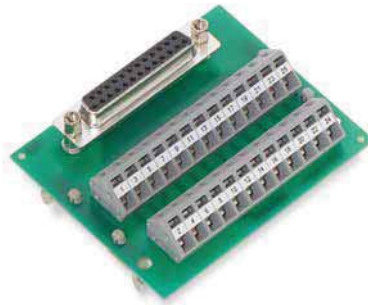
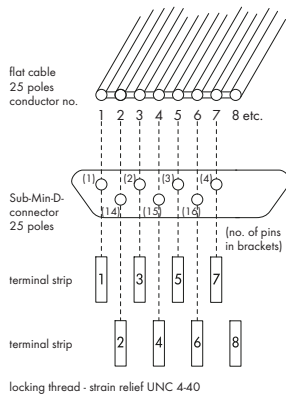
| | |
|--|---|
| Operating voltage | 100 VAC/125 VDC |
| Nominal current | 1 A |
| Contact resistance | ≤ 15 mΩ |
| Performance level | 3 / 50 mating cycles |
| Nominal voltage | 100 V |
| Rated surge voltage | 0.8 kV |
| Pollution degree | 2 |
| Protection type | IP20 |
| Dimensions incl. mounting carrier or feet (mm) W x H x D | W x 62 x 85, height from upper-edge of DIN-rail |
| Connection technology | CAGE CLAMP® (WAGO 737 Series) |

Accessories

| | | | |
|------------------------------------|-------|----------|------------|
| Marker strips for mounting carrier | | | |
| | Color | Item No. | Pack. Unit |
| | white | 709-198 | 1 |

Interface Modules for D-Sub/HD D-Sub Connectors

Female Connector, for Mating Connectors with IDC, 289 Series



***Notice:**

Live parts are likely to be touched! Protection against direct contact must be provided by the equipment builder, e.g., using a 709 Series WAGO Cover (see Accessories) or a similar cover. The installation requirements for the particular application must be observed.

Interface module, with D-subminiature female connector, for mating IDC connectors, vertical insertion, double-row PCB terminal blocks, with mounting feet

| Pole No. | Width | Item No. | Pack. Unit |
|----------|-------|----------|------------|
| 9 | 38,0 | 289-450 | 1 |
| 15 | 53,5 | 289-451 | 1 |
| 25 | 79,0 | 289-452 | 1 |
| 37 | 120,0 | 289-453 | 1 |
| 50 | 157,0 | 289-454 | 1 |

Interface module, with D-subminiature female connector, for mating IDC connectors, vertical insertion, double-row PCB terminal blocks, mounting carrier

| Pole No. | Width | Item No. | Pack. Unit |
|----------|-------|----------|------------|
| 9 | 38,0 | 289-550 | 1 |
| 15 | 46,0 | 289-551 | 1 |
| 25 | 72,0 | 289-552 | 1 |
| 37 | 102,0 | 289-553 | 1 |
| 50 | 94,0 | 289-554 | 1 |

Technical Data

| | |
|--|---|
| Operating voltage | 30 VAC/50 VDC |
| Nominal current | 1 A |
| Contact resistance | ≤ 30 mΩ |
| Performance level | 2 / 200 mating cycles |
| Nominal voltage | 50 V |
| Rated surge voltage | 0.8 kV |
| Pollution degree | 2 |
| Protection type | IP00* |
| Dimensions incl. mounting carrier or feet (mm) W x H x D | B x 19 x 63.5, height from upper-edge of DIN-rail |
| Connection technology | CAGE CLAMP® (WAGO 236 Series) |

| | |
|--|---|
| Operating voltage | 100 VAC/125 VDC |
| Nominal current | 2 A |
| Contact resistance | ≤ 30 mΩ |
| Performance level | 2 / 200 mating cycles |
| Nominal voltage | 100 V |
| Rated surge voltage | 0.8 kV |
| Pollution degree | 2 |
| Protection type | IP20 |
| Dimensions incl. mounting carrier or feet (mm) W x H x D | W x 34 x 85, height from upper-edge of DIN-rail |
| Connection technology | CAGE CLAMP® (WAGO 236 Series) |

Accessories

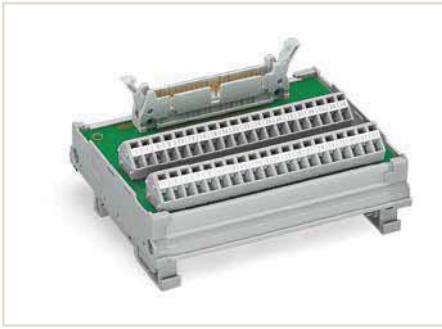
| | |
|---------------------------------------|--|
| Marker strips for mounting carrier | |
| Cover carrier, type 1 (57.5 x 128 mm) | |
| Cover, transparent, type 1, 1 m long | |

| Color | Item No. | Pack. Unit |
|-------|----------|------------|
| white | 709-198 | 1 |
| | 709-167 | 10 |
| | 709-153 | 10 |

| Color | Item No. | Pack. Unit |
|-------|----------|------------|
| white | 709-198 | 1 |

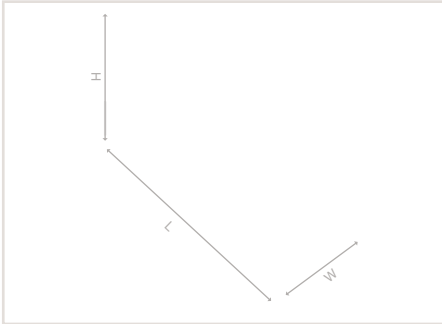
Interface Modules for Pluggable Connectors per DIN 41651

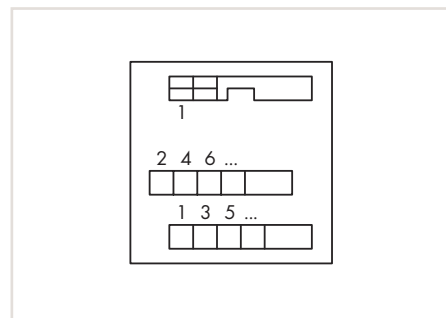
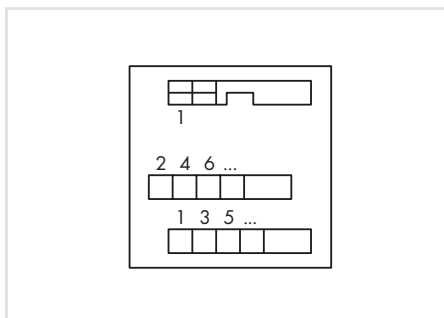
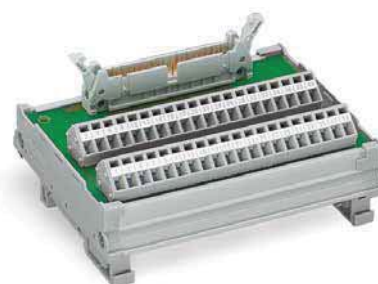
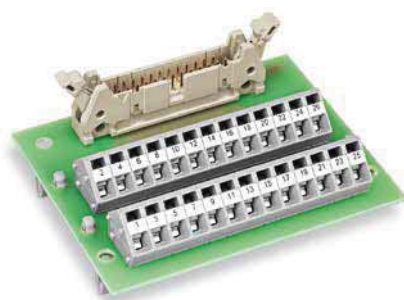
Male Connector, 289 Series



Technical Data

| | |
|-------------------------------|--|
| Nominal current | 1 A |
| Connector contact | Au over Ni |
| Performance level | 3 / 50 mating cycles |
| Ambient operating temperature | -20 ... +55 °C |
| Storage temperature | -40 ... +70 °C |
| Relative humidity | Max. 85 % (no condensation) |
| Conductor range | 0.08 mm ² ... 2.5 mm ² / 28 ... 12 AWG |
| Strip length | 5 ... 6 mm / 0.2 ... 0.24 inch |





***Notice:**

Live parts are likely to be touched! Protection against direct contact must be provided by the equipment builder, e.g., using a 709 Series WAGO Cover (see Accessories) or a similar cover. The installation requirements for the particular application must be observed.

Interface module, with connector per DIN 41651, double-row PCB terminal blocks, with mounting feet

| Pole No. | Width | Item No. | Pack. Unit |
|----------|-------|----------|------------|
| 10 | 41,0 | 289-401 | 1 |
| 14 | 51,5 | 289-402 | 1 |
| 16 | 56,5 | 289-403 | 1 |
| 20 | 66,5 | 289-404 | 1 |
| 26 | 81,0 | 289-405 | 1 |
| 34 | 102,0 | 289-406 | 1 |
| 40 | 126,0 | 289-407 | 1 |
| 50 | 151,0 | 289-408 | 1 |
| 64 | 187,0 | 289-409 | 1 |

Interface module, with connector per DIN 41651, double-row PCB terminal blocks, mounting carrier

| Pole No. | Width | Item No. | Pack. Unit |
|----------|-------|----------|------------|
| 10 | 38,0 | 289-501 | 1 |
| 14 | 43,0 | 289-502 | 1 |
| 16 | 46,0 | 289-503 | 1 |
| 20 | 53,5 | 289-504 | 1 |
| 26 | 71,0 | 289-505 | 1 |
| 34 | 94,0 | 289-506 | 1 |
| 40 | 114,0 | 289-507 | 1 |
| 50 | 132,0 | 289-508 | 1 |
| 64 | 170,0 | 289-509 | 1 |
| 64 | 120,0 | 289-510 | 1 |

6

Technical Data

| | |
|--|---|
| Operating voltage | 30 VAC/50 VDC |
| Nominal voltage | 50 V |
| Rated surge voltage | 0.8 kV |
| Pollution degree | 2 |
| Protection type | IP00* |
| Dimensions incl. mounting carrier or feet (mm) W x H x D | W x 28 x 63.5, height from upper-edge of DIN-rail |
| Connection technology | CAGE CLAMP® (WAGO 236 Series) |

| | |
|--|---|
| Operating voltage | 100 VAC/125 VDC |
| Nominal voltage | 100 V |
| Rated surge voltage | 0.8 kV |
| Pollution degree | 2 |
| Protection type | IP20 |
| Dimensions incl. mounting carrier or feet (mm) W x H x D | W x 36 x 85, height from upper-edge of DIN-rail |
| Connection technology | CAGE CLAMP® (WAGO 236 Series) |

| | |
|--|---|
| Operating voltage | 100 VAC/125 VDC |
| Nominal voltage | 100 V |
| Rated surge voltage | 0.8 kV |
| Pollution degree | 2 |
| Protection type | IP20 |
| Dimensions incl. mounting carrier or feet (mm) W x H x D | W x 36 x 85, height from upper-edge of DIN-rail |
| Connection technology | CAGE CLAMP® (WAGO 236 Series) |

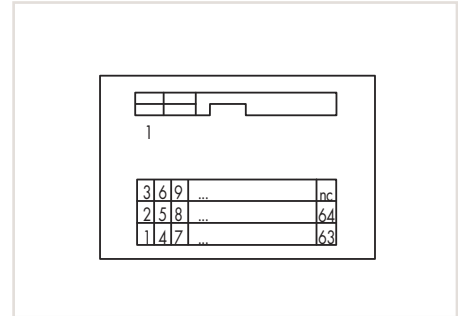
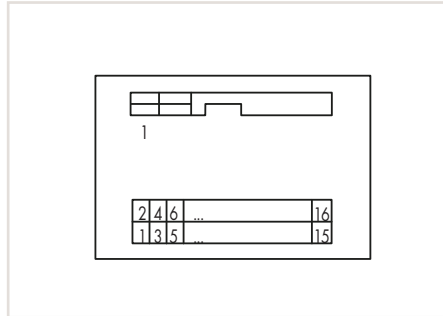
Accessories

| | |
|---------------------------------------|--|
| Marker strips for mounting carrier | |
| Cover carrier, type 1 (57.5 x 128 mm) | |
| Cover, transparent, type 1, 1 m long | |

| Color | Item No. | Pack. Unit |
|-------|----------|------------|
| white | 709-198 | 1 |
| | 709-167 | 10 |
| | 709-153 | 10 |

| Color | Item No. | Pack. Unit |
|-------|----------|------------|
| white | 709-198 | 1 |
| | | |
| | | |

Interface Modules for Pluggable Connectors per DIN 41651 Male Connector, 289 Series



Interface module,
with connector per DIN 41651,
double-deck PCB terminal blocks,
mounting carrier

| Pole No. | Width | Item No. | Pack. Unit |
|----------|-------|----------|------------|
| 10 | 35,0 | 289-611 | 1 |
| 14 | 40,0 | 289-612 | 1 |
| 16 | 45,0 | 289-613 | 1 |

Interface module,
with connector per DIN 41651,
triple-deck PCB terminal blocks,
mounting carrier

| Pole No. | Width | Item No. | Pack. Unit |
|----------|-------|----------|------------|
| 20 | 47,0 | 289-614 | 1 |
| 26 | 55,0 | 289-615 | 1 |
| 34 | 65,0 | 289-616 | 1 |
| 40 | 74,0 | 289-617 | 1 |
| 50 | 88,0 | 289-618 | 1 |
| 64 | 114,0 | 289-619 | 1 |

Technical Data

| | |
|--|---|
| Operating voltage | 100 VAC/125 VDC |
| Nominal voltage | 100 V |
| Rated surge voltage | 0.8 kV |
| Pollution degree | 2 |
| Protection type | IP20 |
| Dimensions incl. mounting carrier or feet (mm) W x H x D | W x 48 x 85, height from upper-edge of DIN-rail |
| Connection technology | CAGE CLAMP® (WAGO 736 Series) |

| | |
|--|---|
| Operating voltage | 100 VAC/125 VDC |
| Nominal voltage | 100 V |
| Rated surge voltage | 0.8 kV |
| Pollution degree | 2 |
| Protection type | IP20 |
| Dimensions incl. mounting carrier or feet (mm) W x H x D | W x 62 x 85, height from upper-edge of DIN-rail |
| Connection technology | CAGE CLAMP® (WAGO 737 Series) |

Accessories

| | Color | Item No. | Pack. Unit | Color | Item No. | Pack. Unit |
|------------------------------------|-------|----------|------------|-------|----------|------------|
| Marker strips for mounting carrier | white | 709-198 | 1 | white | 709-198 | 1 |

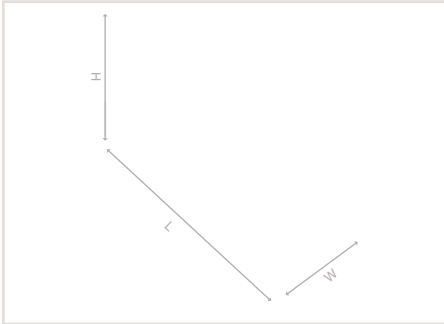
Interface Modules for Pluggable Connectors per DIN 41612

Female Connector, Type C, 289 Series



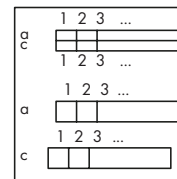
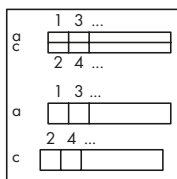
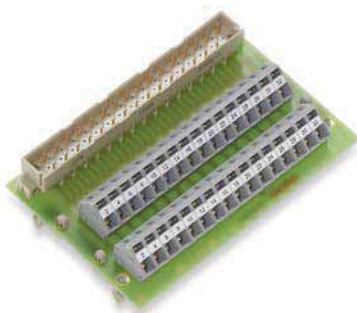
Technical Data

| | |
|-------------------------------|--|
| Nominal current | 1 A |
| Connector contact | Copper alloy, gold plated |
| Contact resistance | ≤ 20 mΩ |
| Performance level | 2 / 400 mating cycles |
| Ambient operating temperature | -20 ... +50 °C |
| Storage temperature | -40 ... +70 °C |
| Relative humidity | Max. 85 % (no condensation) |
| Connection technology | CAGE CLAMP® (WAGO 236 Series) |
| Conductor range | 0.08 mm ² ... 2.5 mm ² / 28 ... 12 AWG |
| Strip length | 5 ... 6 mm / 0.2 ... 0.24 inch |



Interface Modules for Pluggable Connectors per DIN 41612

Female Connector, Type C, 289 Series



*Notice:

Live parts are likely to be touched! Protection against direct contact must be provided by the equipment builder, e.g., using a 709 Series WAGO Cover (see Accessories) or a similar cover. The installation requirements for the particular application must be observed.

Interface module, with connector per DIN 41612, 64-pole, for mating IDC connectors, vertical insertion, double-row PCB terminal blocks, with mounting feet, type C

| Pole No. | Width | Item No. | Pack. Unit |
|----------|-------|----------|------------|
| 64 | 187,0 | 289-422 | 1 |

Interface module, with connector per DIN 41612, 64-pole, for mating connectors for solder connection, horizontal insertion, double-row PCB terminal blocks, with mounting feet, type C

| Pole No. | Width | Item No. | Pack. Unit |
|----------|-------|----------|------------|
| 64 | 187,0 | 289-427 | 1 |

Technical Data

| | |
|--|---|
| Operating voltage | 30 VAC/50 VDC |
| Nominal voltage | 50 V |
| Rated surge voltage | 0.8 kV |
| Pollution degree | 2 |
| Protection type | IP00* |
| Dimensions incl. mounting carrier or feet (mm) W x H x D | W x 21 x 63.5, height from upper-edge of DIN-rail |

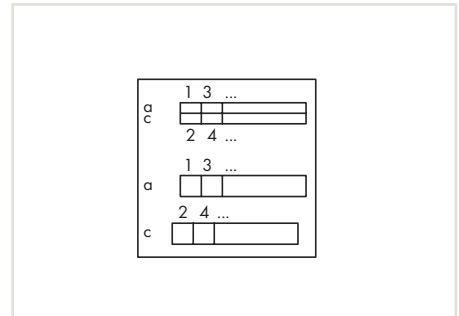
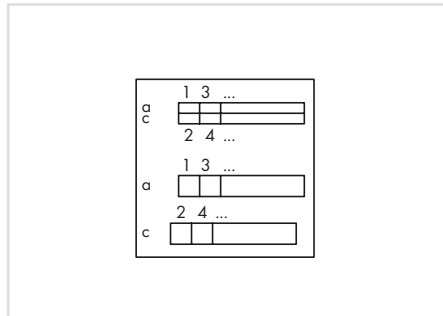
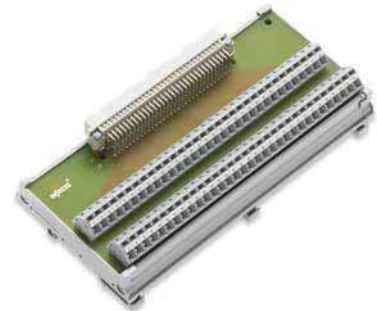
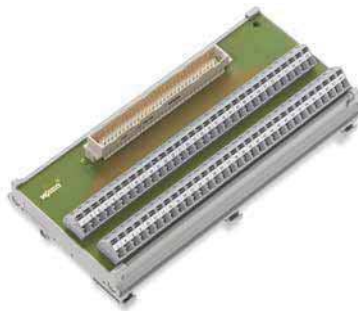
| | |
|--|---|
| Operating voltage | 30 VAC/50 VDC |
| Nominal voltage | 50 V |
| Rated surge voltage | 0.8 kV |
| Pollution degree | 2 |
| Protection type | IP00* |
| Dimensions incl. mounting carrier or feet (mm) W x H x D | W x 21 x 63.5, height from upper-edge of DIN-rail |

Accessories

| | Color | Item No. | Pack. Unit | Color | Item No. | Pack. Unit |
|---------------------------------------|-------|----------|------------|-------|----------|------------|
| Marker strips for mounting carrier | white | 709-198 | 1 | white | 709-198 | 1 |
| Cover carrier, type 1 (57.5 x 128 mm) | | 709-167 | 10 | | 709-167 | 10 |
| Cover, transparent, type 1, 1 m long | | 709-153 | 10 | | 709-153 | 10 |

Interface Modules for Pluggable Connectors per DIN 41612

Female Connector, Type C, 289 Series



***Notice:**
Live parts are likely to be touched! Protection against direct contact must be provided by the equipment builder, e.g., using a 709 Series WAGO Cover (see Accessories) or a similar cover. The installation requirements for the particular application must be observed.

Interface module, with connector per DIN 41612, 64-pole, for mating IDC connectors, vertical insertion, double-row PCB terminal blocks, mounting carrier, type C

Interface module, with connector per DIN 41612, 64-pole, for mating IDC connectors, horizontal insertion, double-row PCB terminal blocks, mounting carrier, type C

| Pole No. | Width | Item No. | Pack. Unit |
|----------|-------|----------|------------|
| 64 | 171,0 | 289-522 | 1 |

| Pole No. | Width | Item No. | Pack. Unit |
|----------|-------|----------|------------|
| 64 | 171,0 | 289-523 | 1 |

Technical Data

| | |
|--|---|
| Operating voltage | 100 VAC/125 VDC |
| Nominal voltage | 100 V |
| Rated surge voltage | 0.8 kV |
| Pollution degree | 2 |
| Protection type | IP20 |
| Dimensions incl. mounting carrier or feet (mm) W x H x D | W x 34 x 85, height from upper-edge of DIN-rail |

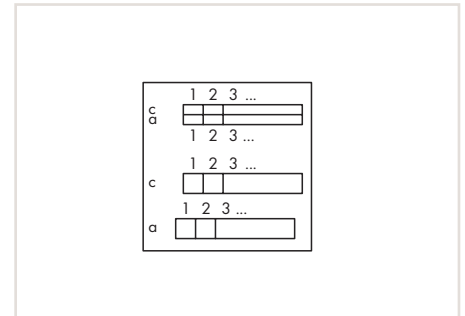
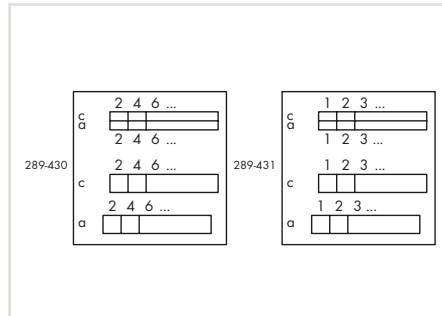
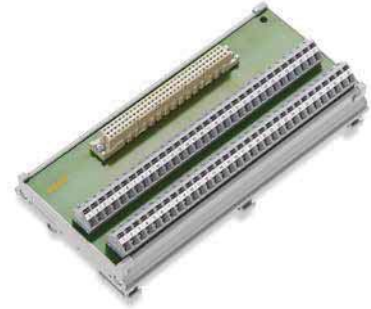
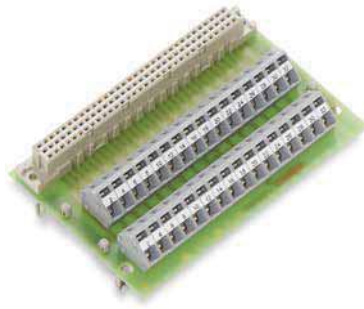
| | |
|--|---|
| Operating voltage | 30 VAC/50 VDC |
| Nominal voltage | 50 V |
| Rated surge voltage | 0.8 kV |
| Pollution degree | 2 |
| Protection type | IP00* |
| Dimensions incl. mounting carrier or feet (mm) W x H x D | W x 34 x 85, height from upper-edge of DIN-rail |

Accessories

| | Color | Item No. | Pack. Unit | Color | Item No. | Pack. Unit |
|---------------------------------------|-------|----------|------------|-------|----------|------------|
| Marker strips for mounting carrier | white | 709-198 | 1 | white | 709-198 | 1 |
| Cover carrier, type 1 (57.5 x 128 mm) | | 709-167 | 10 | | 709-167 | 10 |
| Cover, transparent, type 1, 1 m long | | 709-153 | 10 | | 709-153 | 10 |

Interface Modules for Pluggable Connectors per DIN 41612

Female Connector, Type C, 289 Series



*Notice:

Live parts are likely to be touched! Protection against direct contact must be provided by the equipment builder, e.g., using a 709 Series WAGO Cover (see Accessories) or a similar cover. The installation requirements for the particular application must be observed.

Interface module, with connector per DIN 41612, for mating connectors for solder connection, vertical insertion, double-row PCB terminal blocks, with mounting feet, type C

| Pole No. | Width | Item No. | Pack. Unit |
|----------|-------|----------|------------|
| 32 | 97,0 | 289-430 | 1 |
| 64 | 187,0 | 289-431 | 1 |

Interface module, with connector per DIN 41612, 64-pole, for mating connectors for solder connection, vertical insertion, double-row PCB terminal blocks, mounting carrier, type C

| Pole No. | Width | Item No. | Pack. Unit |
|----------|-------|----------|------------|
| 64 | 171,0 | 289-531 | 1 |

Technical Data

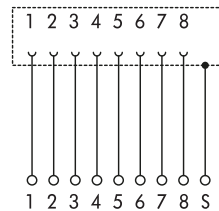
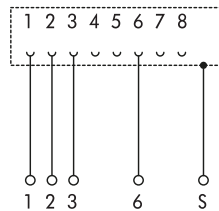
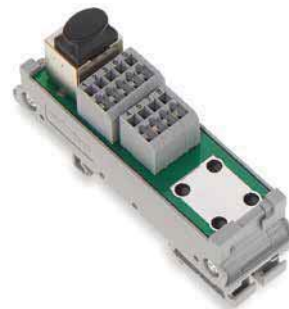
| | | |
|--|---|---|
| Operating voltage | 30 VAC/50 VDC | 100 VAC/125 VDC |
| Nominal voltage | 50 V | 100 V |
| Rated surge voltage | 0.8 kV | 0.8 kV |
| Pollution degree | 2 | 2 |
| Protection type | IP00* | IP20 |
| Dimensions incl. mounting carrier or feet (mm) W x H x D | W x 21 x 63.5, height from upper-edge of DIN-rail | W x 34 x 85, height from upper-edge of DIN-rail |

Accessories

| | | | | | | |
|---------------------------------------|-------|----------|------------|-------|----------|------------|
| Marker strips for mounting carrier | Color | Item No. | Pack. Unit | Color | Item No. | Pack. Unit |
| | white | 709-198 | 1 | white | 709-198 | 1 |
| Cover carrier, type 1 (57.5 x 128 mm) | | 709-167 | 10 | | | |
| Cover, transparent, type 1, 1 m long | | 709-153 | 10 | | | |

Interface Modules for RJ-45 Pluggable Connectors

289 Series



RJ-45 interface module,
with PCB terminal blocks, Cat. 5
mounting carrier, with shield connection

| | Item No. | Pack. Unit |
|-----------------------------|-----------------|------------|
| | 289-174 | 1 |
| with shield clamping saddle | 289-174/790-108 | 1 |

RJ-45 interface module,
with double-row PCB terminal blocks, Cat. 5,
mounting carrier, with shield connection


| | Item No. | Pack. Unit |
|-----------------------------|-----------------|------------|
| | 289-175 | 1 |
| with shield clamping saddle | 289-175/790-108 | 1 |

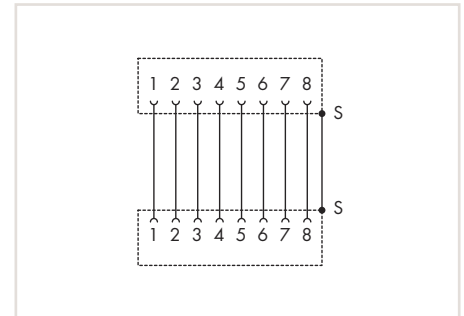
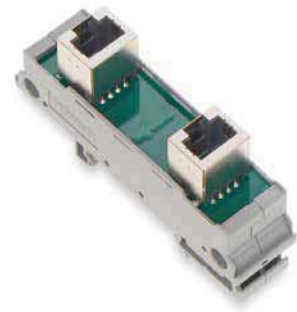
Technical Data

| | | |
|--|--|--|
| Connection cable | Cat. 5 (min.) | Cat. 5 (min.) |
| Transmission length (max.) | 100 m | 100 m |
| Pluggable connector | RJ-45, shielded | RJ-45, shielded |
| Mating cycles (min.) | 500 | 500 |
| Current load | ≤ 1.5 A | ≤ 1.5 A |
| Insulation resistance | > 500 MΩ | > 500 MΩ |
| Dielectric strength, contact/contact | 1 kV _{rms} | 1 kV _{rms} |
| Contact resistance | < 20 mΩ (typ.) | < 20 mΩ (typ.) |
| Ambient operating temperature | -40 ... +85 °C (actuation: -35 ... +85 °C) | -40 ... +85 °C (actuation: -35 ... +85 °C) |
| Relative humidity | Max. 85 % (no condensation) | Max. 85 % (no condensation) |
| Dimensions incl. mounting carrier or feet (mm) W x H x D | 24 x 40 x 85, height from upper-edge of DIN-rail | 24 x 40 x 85, height from upper-edge of DIN-rail |
| Connection technology | CAGE CLAMP® (WAGO 739 Series) | CAGE CLAMP® (WAGO 739 Series) |
| Conductor range | 0.08 mm ² ... 1.5 mm ² / 28 ... 14 AWG | 0.08 mm ² ... 1.5 mm ² / 28 ... 14 AWG |
| Strip length | 5 ... 6 mm / 0.2 ... 0.24 inch | 5 ... 6 mm / 0.2 ... 0.24 inch |
| Standards/approvals | ISO/IEC 11801: 2002-09; EN 55022 | ISO/IEC 11801: 2002-09; EN 55022 |

Accessories

| | Color | Item No. | Pack. Unit | Color | Item No. | Pack. Unit |
|--|-------|----------|------------|-------|----------|------------|
| Marker strips for mounting carrier | white | 709-198 | 1 | white | 709-198 | 1 |
| WAGO shield clamping saddle 11 mm wide; cable diameter up to 8 mm | | 790-108 | 50 | | 790-108 | 50 |

 WMB Multi marking system,
see page 608



RJ-45 interface module, Cat. 5,
mounting carrier

| | Item No. | Pack. Unit |
|--|----------|------------|
| | 289-172 | 1 |

Technical Data

| | |
|--|--|
| Connection cable | Cat. 5 (min.) |
| Transmission length (max.) | 100 m |
| Pluggable connector | RJ-45, shielded |
| Mating cycles (min.) | 500 |
| Current load | ≤ 1.5 A |
| Voltage load | 30 VAC/42 VDC |
| Insulation resistance | > 500 MΩ |
| Dielectric strength, contact/contact | 1 kV _{rms} |
| Contact resistance (typ.) | < 20 mΩ |
| WAGO shield clamping saddle | |
| Ambient operating temperature | -40 ... +85 °C |
| Relative humidity | Max. 85 % (no condensation) |
| Dimensions incl. mounting carrier or feet (mm) W x H x D | 20.5 x 51 x 85, height from upper-edge of DIN-rail |
| Connection technology | |
| Conductor range | |
| Strip length | |
| Standards/approvals | ISO/IEC 11801: 2002-09; EN 55022 |

Accessories

| | | | |
|------------------------------------|-------|----------|------------|
| Marker strips for mounting carrier | | | |
| | Color | Item No. | Pack. Unit |
| | white | 709-198 | 1 |

Interface Modules for RJ-45 Pluggable Connectors

289 Series



RJ-45 interface module,
with IDC, Cat. 6,
mounting carrier,
with shield connection

| Item No. | Pack. Unit |
|----------|------------|
| 289-195 | 1 |

Technical Data

RJ-45 Base Module

| | |
|---------------------------|---|
| Connection cable | Cat. 6 (min.) |
| Pluggable connector | 1 x RJ-45/SC-RJ, shielded |
| Contact material | CuSn |
| Contact plating | > 0.76 µm Au over > 1.2 µm Ni |
| Contact resistance (typ.) | < 50 mΩ (at 20 °C) |
| Mating cycles (min.) | 750 |
| Pole No. | 8 |
| Connection technology | IDC connection |
| IDC surface treatment | CuSn, tin-plated |
| Conductor range | Solid: 0.2 ... 0.32 mm ² / 24 ... 22 AWG Stranded: 0.2 ... 0.32 mm ² / 26/7 ... 22/7 AWG |
| Strip length | 0.8 ... 1.6 mm / 0.03 ... 0.06 inch |
| Shield contacting | Large area, via shield latch |

Mounting Adapter

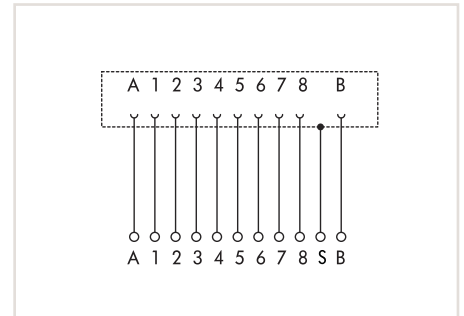
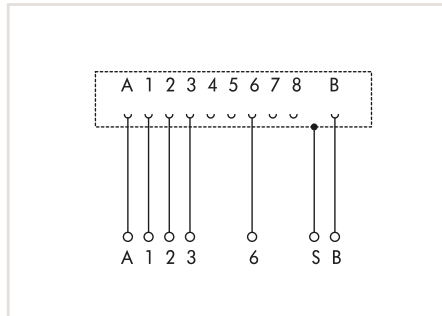
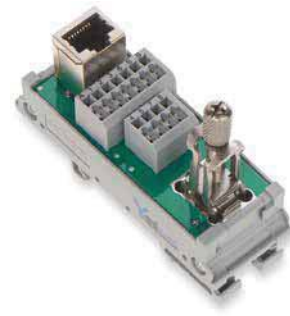
| | |
|--------------------|--|
| Housing color | gray |
| Shield | Bronze (CuSn ₆), tin coating |
| Contact resistance | ≤ 20 mΩ |
| Contact resistance | ≤ 5 mΩ |

General Specifications

| | |
|-------------------------------|---|
| Dimensions (mm) W x H x D | 26.8 x 64.4 x 81.4, height from upper-edge of DIN-rail |
| Protection type | IP20 |
| Ambient operating temperature | -10 ... +60 °C |
| Storage temperature | -40 ... +70 °C |
| Relative humidity | < 95 % (no condensation) |
| Standards/approvals | ISO/IEC 11801: 2011-06; IEC 60603-7; EN 50173-1:May 2011 |

Interface Modules with Power Contacts for RJ-45 Pluggable Connectors

289 Series



RJ-45 interface module, with power contacts, PCB terminal blocks, Cat. 5, mounting carrier with shield connection, with shield clamping saddle

| | Item No. | Pack. Unit |
|--|----------|------------|
| | 289-178 | 1 |

RJ-45 interface module, with power contacts, double-row PCB terminal blocks, Cat. 5, mounting carrier, with shield connection, with shield clamping saddle

| | Item No. | Pack. Unit |
|--|----------|------------|
| | 289-179 | 1 |

Technical Data

| | |
|--|---|
| Connection cable | Cat. 5 (min.) |
| Transmission length (max.) | 100 m |
| Pluggable connector | RJ-45, shielded, with two additional power contacts |
| Mating cycles (min.) | 1000 |
| Current load | ≤ 2.1 A |
| Voltage load | 35 VAC/50 VDC |
| Insulation resistance | > 500 MΩ |
| Dielectric strength, contact/contact | 1 kV _{rms} |
| Contact resistance (typ.) | 40 mΩ (typ.) |
| WAGO shield clamping saddle | 11 mm wide; cable diameter up to 8 mm |
| Ambient operating temperature | -40 ... +85 °C (actuation: -35 ... +85 °C) |
| Relative humidity | Max. 85 % (no condensation) |
| Dimensions incl. mounting carrier or feet (mm) W x H x D | 30 x 67 x 85, height from upper-edge of DIN-rail |
| Connection technology | CAGE CLAMP® (WAGO 739 Series) |
| Conductor range | 0.08 mm² ... 1.5 mm² / 28 ... 14 AWG |
| Strip length | 5 ... 6 mm / 0.2 ... 0.24 inch |
| Standards/approvals | ISO/IEC 11801: 2002-09; EN 55022 |

| | |
|--|---|
| Connection cable | Cat. 5 (min.) |
| Transmission length (max.) | 100 m |
| Pluggable connector | RJ-45, shielded, with two additional power contacts |
| Mating cycles (min.) | 1000 |
| Current load | ≤ 2.1 A |
| Voltage load | 35 VAC/50 VDC |
| Insulation resistance | > 500 MΩ |
| Dielectric strength, contact/contact | 1 kV _{rms} |
| Contact resistance (typ.) | < 40 mΩ |
| WAGO shield clamping saddle | 11 mm wide; cable diameter up to 8 mm |
| Ambient operating temperature | -40 ... +85 °C (actuation: -35 ... +85 °C) |
| Relative humidity | Max. 85 % (no condensation) |
| Dimensions incl. mounting carrier or feet (mm) W x H x D | 30 x 67 x 85, height from upper-edge of DIN-rail |
| Connection technology | CAGE CLAMP® (WAGO 739 Series) |
| Conductor range | 0.08 mm² ... 1.5 mm² / 28 ... 14 AWG |
| Strip length | 5 ... 6 mm / 0.2 ... 0.24 inch |
| Standards/approvals | ISO/IEC 11801: 2002-09; EN 55022 |

| | |
|--|---|
| Connection cable | Cat. 5 (min.) |
| Transmission length (max.) | 100 m |
| Pluggable connector | RJ-45, shielded, with two additional power contacts |
| Mating cycles (min.) | 1000 |
| Current load | ≤ 2.1 A |
| Voltage load | 35 VAC/50 VDC |
| Insulation resistance | > 500 MΩ |
| Dielectric strength, contact/contact | 1 kV _{rms} |
| Contact resistance (typ.) | < 40 mΩ |
| WAGO shield clamping saddle | 11 mm wide; cable diameter up to 8 mm |
| Ambient operating temperature | -40 ... +85 °C (actuation: -35 ... +85 °C) |
| Relative humidity | Max. 85 % (no condensation) |
| Dimensions incl. mounting carrier or feet (mm) W x H x D | 30 x 67 x 85, height from upper-edge of DIN-rail |
| Connection technology | CAGE CLAMP® (WAGO 739 Series) |
| Conductor range | 0.08 mm² ... 1.5 mm² / 28 ... 14 AWG |
| Strip length | 5 ... 6 mm / 0.2 ... 0.24 inch |
| Standards/approvals | ISO/IEC 11801: 2002-09; EN 55022 |

Accessories

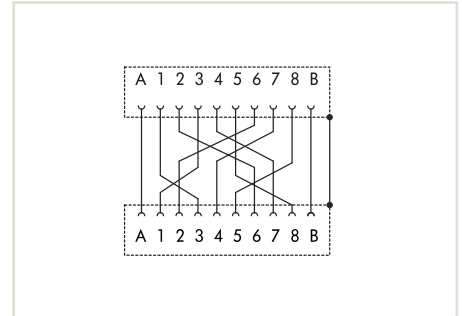
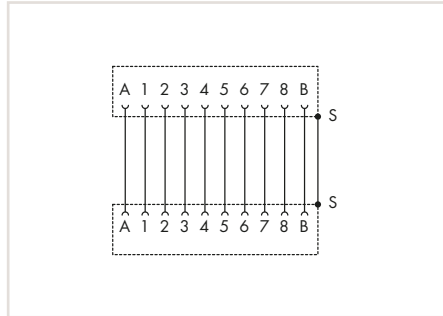
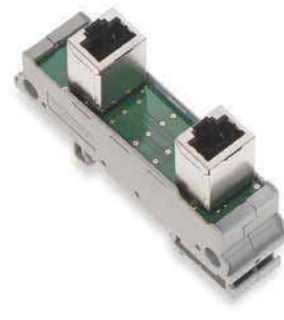
| | |
|------------------------------------|--|
| Marker strips for mounting carrier | |
|------------------------------------|--|

| Color | Item No. | Pack. Unit |
|-------|----------|------------|
| white | 709-198 | |

| Color | Item No. | Pack. Unit |
|-------|----------|------------|
| white | 709-198 | 1 |

Interface Modules with Power Contacts for RJ-45 Pluggable Connectors

289 Series



RJ-45 interface module, with power contacts, RJ-45, Cat. 5, mounting carrier

| Item No. | Pack. Unit |
|----------|------------|
| 289-176 | 1 |

RJ-45 interface module, with cross-over power contacts, RJ-45, Cat. 5, mounting carrier

| Item No. | Pack. Unit |
|----------|------------|
| 289-177 | 1 |

6

Technical Data

| | | |
|--|---|---|
| Connection cable | Cat. 5 (min.) | Cat. 5 (min.) |
| Transmission length (max.) | 100 m | 100 m |
| Pluggable connector | RJ-45, shielded, with two additional power contacts | RJ-45, shielded, with two additional power contacts |
| Mating cycles (min.) | 1000 | 1000 |
| Current load | ≤ 2.1 A | ≤ 2.1 A |
| Voltage load | 35 VAC/50 VDC | 35 VAC/50 VDC |
| Insulation resistance | > 500 MΩ | > 500 MΩ |
| Dielectric strength, contact/contact | 1 kV _{rms} | 1 kV _{rms} |
| Contact resistance (typ.) | < 40 mΩ | < 40 mΩ (typ.) |
| WAGO shield clamping saddle | | |
| Ambient operating temperature | -40 ... +85 °C | -40 ... +85 °C |
| Relative humidity | Max. 85 % (no condensation) | Max. 85 % (no condensation) |
| Dimensions incl. mounting carrier or feet (mm) W x H x D | 30 x 51 x 85, height from upper-edge of DIN-rail | 30 x 51 x 85, height from upper-edge of DIN-rail |
| Connection technology | | |
| Conductor range | | |
| Strip length | | |
| Standards/approvals | ISO/IEC 11801: 2002-09; EN 55022 | ISO/IEC 11801: 2002-09; EN 55022 |

Accessories

| | | | | | | |
|------------------------------------|-------|----------|------------|-------|----------|------------|
| Marker strips for mounting carrier | Color | Item No. | Pack. Unit | Color | Item No. | Pack. Unit |
| | white | 709-198 | 1 | white | 709-198 | 1 |

WMB Multi marking system, see page 608

Interface Modules

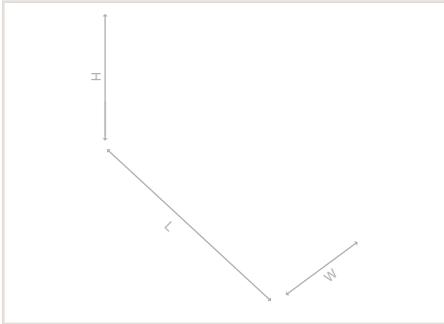
Connection Modules for Sensors and Actuators

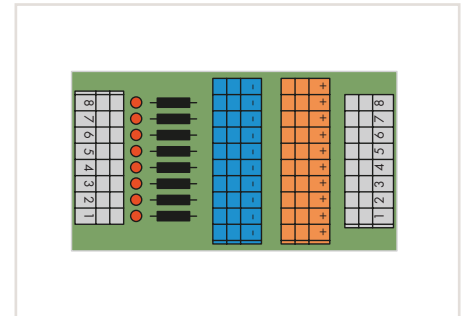
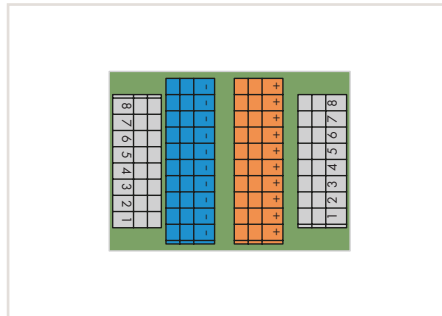
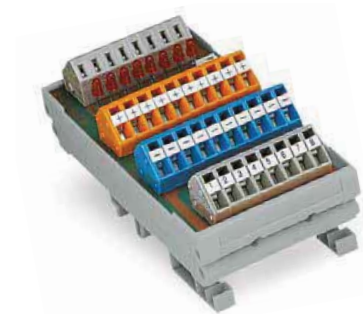
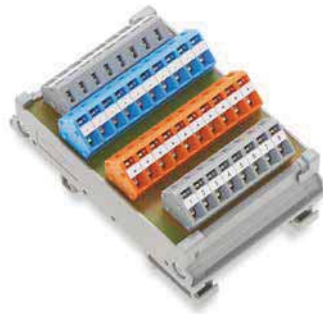
289 Series



Technical Data

| | |
|-------------------------------|--|
| Max. current per connection | 1 A |
| Max. total current | 8 A |
| Ambient operating temperature | -20 ... +50 °C |
| Storage temperature | -40 ... +70 °C |
| Relative humidity | Max. 85 % (no condensation) |
| Connection technology | CAGE CLAMP® (WAGO 236 Series) |
| Conductor range | 0.08 ... 2.5 mm ² / 28 ... 12 AWG |
| Strip length | 5 ... 6 mm / 0.2 ... 0.24 inch |





Sensor/actuator module,
8-channel digital input,
3-conductor,
with mounting carrier

| Item No. | Pack. Unit |
|----------|------------|
| 289-664 | 1 |

Sensor/actuator module,
8-channel digital input,
3-conductor, high-side switching,
red status indicator,
with mounting carrier

| Item No. | Pack. Unit |
|----------|------------|
| 289-665 | 1 |

6

Technical Data

| | |
|--|--|
| Operating voltage | 100 VAC/125 VDC |
| Power consumption LED | 5.2 mA |
| Nominal voltage | 100 V |
| Rated surge voltage | 0.8 kV |
| Pollution degree | 2 |
| Dimensions incl. mounting carrier or feet (mm) W x H x D | 56 x 34 x 85, height from upper-edge of DIN-rail |

| | |
|--|---|
| Operating voltage | 24 VDC (±10 %) |
| Power consumption LED | 5.2 mA |
| Nominal voltage | 100 V |
| Rated surge voltage | 0.8 kV |
| Pollution degree | 2 |
| Dimensions incl. mounting carrier or feet (mm) W x H x D | 56 x 34 x 105, height from upper-edge of DIN-rail |

| | |
|--|---|
| Operating voltage | 24 VDC (±10 %) |
| Power consumption LED | 5.2 mA |
| Nominal voltage | 100 V |
| Rated surge voltage | 0.8 kV |
| Pollution degree | 2 |
| Dimensions incl. mounting carrier or feet (mm) W x H x D | 56 x 34 x 105, height from upper-edge of DIN-rail |

Accessories

| | | | |
|------------------------------------|-------|----------|------------|
| Marker strips for mounting carrier | Color | Item No. | Pack. Unit |
| | white | 709-198 | 1 |

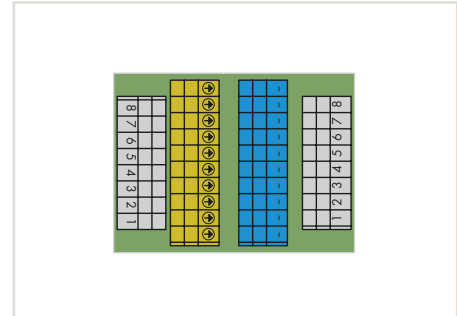
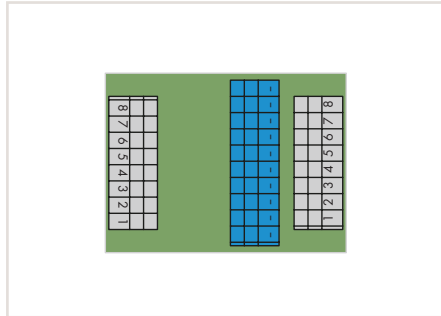
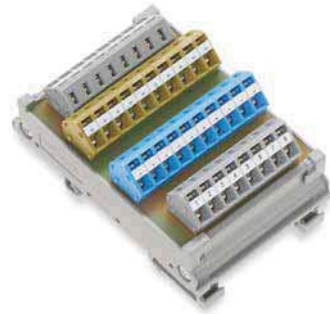
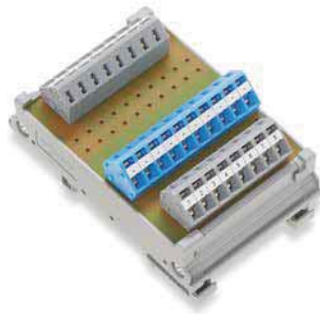
| | | |
|-------|----------|------------|
| Color | Item No. | Pack. Unit |
| white | 709-198 | 1 |

| | | |
|-------|----------|------------|
| Color | Item No. | Pack. Unit |
| white | 709-198 | 1 |

Interface Modules

Connection Modules for Sensors and Actuators

289 Series



Sensor/actuator module,
8-channel digital output,
2-conductor,
mounting carrier

| Item No. | Pack. Unit |
|----------|------------|
| 289-667 | 1 |

Sensor/actuator module,
8-channel digital output,
2-conductor,
with functional ground,
mounting carrier

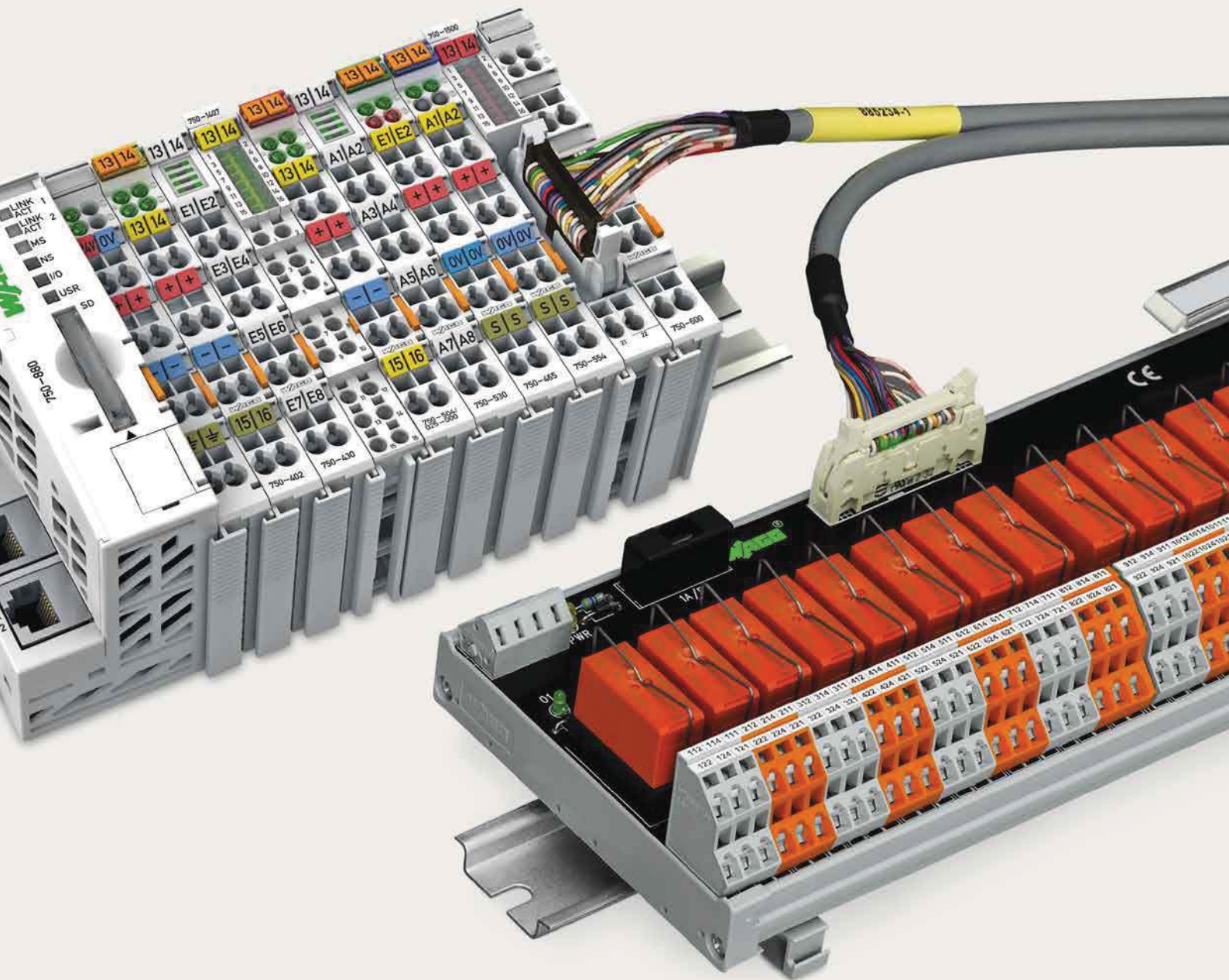
| Item No. | Pack. Unit |
|----------|------------|
| 289-671 | 1 |

Technical Data

| | | |
|--|--|---|
| Operating voltage | 100 VAC/125 VDC | 100 VAC/125 VDC |
| Power consumption LED | | |
| Nominal voltage | 100 V | 100 V |
| Rated surge voltage | 1.5 kV | 1.5 kV |
| Pollution degree | 2 | 2 |
| Dimensions incl. mounting carrier or feet (mm) W x H x D | 56 x 34 x 85, height from upper-edge of DIN-rail | 56 x 34 x 105, height from upper-edge of DIN-rail |




Accessories

| Marker strips for mounting carrier | Color | Item No. | Pack. Unit | Color | Item No. | Pack. Unit |
|------------------------------------|-------|----------|------------|-------|----------|------------|
| | white | 709-198 | 1 | white | 709-198 | 1 |



System Wiring

System Wiring

| | Page |
|---|--|
|  | WAGO System Wiring Overview and Application Examples 466 |
|  | Interface Modules for System Wiring Input/Output Modules, 704 Series 470 Interface Adapters, 857 Series 480 |
|  | WAGO Interface Cables, 706 Series for 289, 704 Series 482 for Interface Adapters, 857 Series 488 |

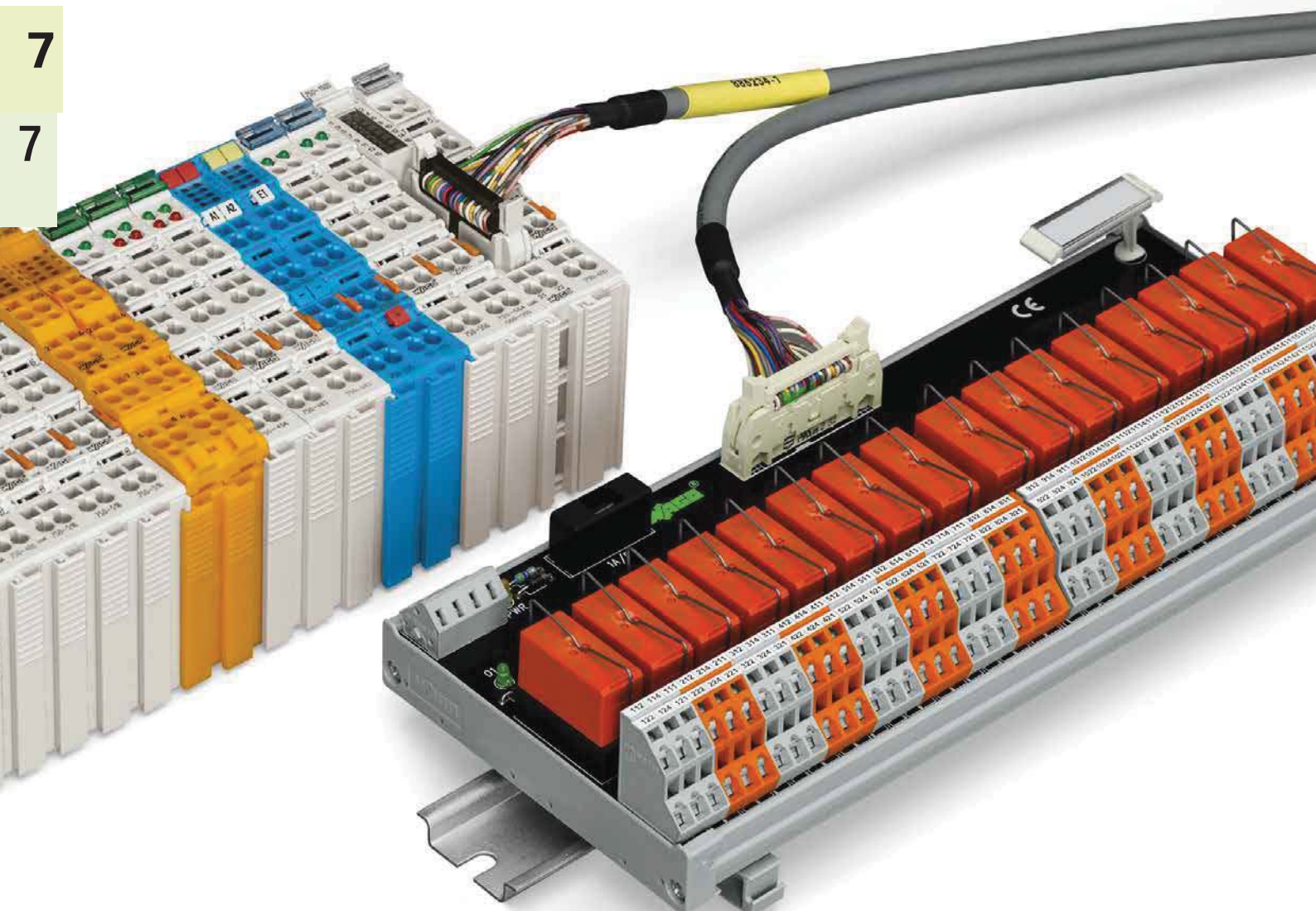
WAGO System Wiring Overview and Application Examples

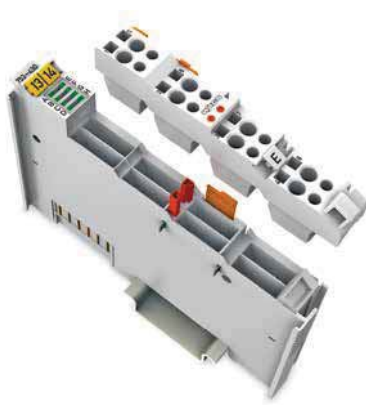


16-channel I/O module with interface module

The new 750-14xx and 750-15xx Series I/O Modules with cable connection acc. to DIN 41651 offer 16 digital channels in a module less than 1/2 inch (12mm) wide. Offering quick connections and a space-efficient design, the DIN-rail-mount interface modules simplify installation in confined areas and conveniently relocate the termination point. When combined with WAGO interface modules (e.g., item no. 289-614, 289-611), a switch cabinet can be pre-wired before install to minimize wiring time and errors. This is beneficial as wiring can be performed independently of construction.

Pre-wired electronics can be installed right before start-up, saving valuable time during final stages of project completion. The modules are also ideal for connecting series machines or relay modules tasked with the higher loads common to buildings and industrial applications. The interface module also combines the advantages of relays (e.g., manual operation or rapid replacement with socket-mounted versions) with the benefits of a modern I/O system. Another ideal application would be the integration of pneumatic controllers into a fieldbus network.

Most pneumatic modules have an appropriate connector and can be controlled by the WAGO-I/O-SYSTEM. Six variants are available: two 16-channel input or output modules (one high-side and one low-side switching variant), as well as two versions combining 8 inputs and 8 outputs.



| Application Example | | |
|---|--|---|
| WAGO-I/O-SYSTEM 753 | WAGO Interface Cables | WAGO Interface Modules |
|  |  |  |
| 753-430 (x2), 16 DI | WAGO-753 T8ES, 2 m long 706-7753/301-200 | T16ES 704-2004 |

| WAGO-I/O-SYSTEM 753 | | | WAGO Interface Cables | | WAGO Interface Modules | |
|---------------------|--------------|-------|-----------------------|------|------------------------|------|
| | I/O Modules | | Item No. | Qty. | Type | Qty. |
| DI | 753-430 (x1) | 8 DI | 706-7753/300-XXX | 1 | T8ES | 1 |
| | 753-430 (x2) | 16 DI | 706-7753/301-XXX | 1 | T16ES | 1 |
| | 753-431 (x1) | 8 DI | 706-7753/300-XXX | 1 | T8ES | 1 |
| | 753-431 (x2) | 16 DI | 706-7753/301-XXX | 1 | T16ES | 1 |
| DO | 753-530 (x1) | 8 DO | 706-7753/300-XXX | 1 | T8ES/T8S | 1 |
| | 753-530 (x2) | 16 DO | 706-7753/301-XXX | 1 | T16ES/T16S | 1 |

Overview over cables and interface modules see page 469!

| WAGO-I/O-SYSTEM 750 | | | WAGO Interface Cables | | WAGO Interface Modules | |
|---------------------|-------------|-----------|-----------------------|------|------------------------|------|
| | I/O Modules | | Item No. | Qty. | Type | Qty. |
| DI | 750-1400 | 16 DI | 706-3057/300-XXX | 1 | T16ES | 1 |
| DO | 750-1500 | 16 DO | 706-3057/300-XXX | 1 | T16ES | 1 |
| DI/DO | 750-1502 | 8 DI/8 DO | 706-7753/302-XXX | 1 | T8ES/T8S | 1/1 |
| | 750-1502 | 8 DI/8 DO | 706-3057/300-XXX | 1 | T16ES | 1 |

Overview over cables and interface modules see page 469!

WAGO System Wiring Overview and Application Examples

| SIEMENS S7-300 | | | WAGO Interface Cables | | WAGO Interface Modules | |
|---------------------|---------------------|------------------|-----------------------|------------|------------------------|------|
| | | | Item No. | Qty. | Type | Qty. |
| CPU | 6ES7 313-5BE01-0AB0 | 16 DI/16 DO | 706-2300/301-XXX | 1 | T16ES/T16S | 1/1 |
| | 6ES7 313-5BF03-0AB0 | 16 DI/16 DO | 706-2300/301-XXX | 1 | T16ES/T16S | 1/1 |
| | 6ES7 313-6BE01-0AB0 | 16 DI/16 DO | 706-2300/301-XXX | 1 | T16ES/T16S | 1/1 |
| | 6ES7 313-6BF03-0AB0 | 16 DI/16 DO | 706-2300/301-XXX | 1 | T16ES/T16S | 1/1 |
| | 6ES7 313-6CE01-0AB0 | 16 DI/16 DO | 706-2300/301-XXX | 1 | T16ES/T16S | 1/1 |
| | 6ES7 313-6CF03-0AB0 | 16 DI/16 DO | 706-2300/301-XXX | 1 | T16ES/T16S | 1/1 |
| | 6ES7 314-6BF01-0AB0 | 16 DI/16 DO | 706-2300/301-XXX | 1 | T16ES/T16S | 1/1 |
| | 6ES7 314-6BG03-0AB0 | 16 DI/16 DO | 706-2300/301-XXX | 1 | T16ES/T16S | 1/1 |
| | 6ES7 314-6CF01-0AB0 | 16 DI/16 DO | 706-2300/301-XXX | 1 | T16ES/T16S | 1/1 |
| 6ES7 314-6CG03-0AB0 | 16 DI/16 DO | 706-2300/301-XXX | 1 | T16ES/T16S | 1/1 | |
| DI | 6ES7 321-1BH02-0AA0 | 16 DI | 706-2300/300-XXX | 1 | T16ES | 1 |
| | 6ES7 321-1BH10-0AA0 | 16 DI | 706-2300/300-XXX | 1 | T16ES | 1 |
| | 6ES7 321-1BH80-0AA0 | 16 DI | 706-2300/300-XXX | 1 | T16ES | 1 |
| | 6ES7 321-1BL00-0AA0 | 32 DI | 706-2300/301-XXX | 1 | T16ES | 2 |
| | 6ES7 321-1BL80-0AA0 | 32 DI | 706-2300/301-XXX | 1 | T16ES | 2 |
| | 6ES7 321-1BP00-0AA0 | 64 DI | 706-2300/100-XXX | 2 | T16ES | 4 |
| | 6ES7 321-7BH01-0AA0 | 16 DI | 706-2300/101-XXX | 1 | T16ES | 1 |
| | 6ES7 321-7BH80-0AA0 | 16 DI | 706-2300/101-XXX | 1 | T16ES | 1 |
| DO | 6ES7 322-1BH01-0AA0 | 16 DO | 706-2300/300-XXX | 1 | T16ES /T16S | 1 |
| | 6ES7 322-1BH10-0AA0 | 16 DO | 706-2300/300-XXX | 1 | T16ES /T16S | 1 |
| | 6ES7 322-1BH80-0AA0 | 16 DO | 706-2300/300-XXX | 1 | T16ES /T16S | 1 |
| | 6ES7 322-1BL00-0AA0 | 32 DO | 706-2300/301-XXX | 1 | T16ES /T16S | 2 |
| | 6ES7 322-1BP00-0AA0 | 64 DO | 706-2300/200-XXX | 2 | T16ES /T16S | 4 |
| | 6ES7 322-1EH01-0AA0 | 16 DO | 706-2300/300-XXX | 1 | T16ES /T16S | 1 |
| AI | 6ES7 331-7HF01-0AB0 | 8 AI | 706-2300/400-XXX | 1 | A8ES | 1 |
| | 6ES7 331-7KF02-0AB0 | 8 AI | 706-2300/400-XXX | 1 | A8ES | 1 |
| | 6ES7 331-7NF00-0AB0 | 8 AI | 706-2300/404-XXX | 1 | A8ES | 1 |
| | 6ES7 331-7NF10-0AB0 | 8 AI | 706-2300/406-XXX | 1 | A8ES | 1 |
| | 6ES7 331-7SF00-0AB0 | 8 AI | 706-2300/400-XXX | 1 | A8ES | 1 |
| | 6ES7 331-7TF00-0AB0 | 8 AI | 706-2300/400-XXX | 1 | A8ES | 1 |
| AO | 6ES7 332-5HB01-0AB0 | 2 AO | 706-2300/500-XXX | 1 | A4ES | 1 |
| | 6ES7 332-5HB81-0AB0 | 2 AO | 706-2300/500-XXX | 1 | A4ES | 1 |
| | 6ES7 332-5HD01-0AB0 | 4 AO | 706-2300/500-XXX | 1 | A4ES | 1 |
| | 6ES7 332-5HF00-0AB0 | 8 AO | 706-2300/502-XXX | 1 | A8ES | 1 |
| | 6ES7 332-7ND02-0AB0 | 4 AO | 706-2300/500-XXX | 1 | A4ES | 1 |
| | 6ES7 332-8TF00-0AB0 | 8 AO | 706-2300/400-XXX | 1 | A8ES | 1 |

System Wiring for

- GEFANUC 90-30 / ALSPA 80-35
 - SCHNEIDER M340
 - SCHNEIDER QUANTUM
 - SCHNEIDER TSX 37 (Micro)
 - SCHNEIDER TSX 57 (Premium)
 - ROCKWELL COMPACT LOGIX (1769)
 - ROCKWELL CONTROL LOGIX (1756)
- contact factory

| WAGO Interface Modules | | | |
|------------------------|-------|--------------|--------------|
| | Type | Item No. | |
| DI/DO | T8ES | 289-611 | See page 448 |
| | | 704-2003 | See page 471 |
| | T8S | 704-5003 | See page 472 |
| | | 704-5013 | See page 472 |
| | T16ES | 289-614 | See page 448 |
| | | 704-2004 | See page 473 |
| | | 704-2024 | See page 473 |
| | | 704-2044 | See page 474 |
| | | 704-2054 | See page 474 |
| | T16S | 704-5004 | See page 476 |
| | | 704-5014 | See page 476 |
| | | 704-5024 | See page 475 |
| | | 704-5034 | See page 476 |
| | | 704-5044 | See page 475 |
| | | 704-5054 | See page 477 |
| 704-5064 | | See page 478 | |
| 704-5074 | | See page 477 | |
| AI/AO | A4ES | 704-8012 | See page 479 |
| | A8ES | 704-8013 | See page 479 |

| WAGO Interface Cables | | | |
|-----------------------|-------------------|------------------|------------------|
| | Type | Item No. | |
| DI/DO | WAGO-753 T8ES | 706-7753/300-XXX | See www.wago.com |
| | WAGO-753 T16ES | 706-7753/301-XXX | See www.wago.com |
| | WAGO-750 HE T8E8S | 706-7753/302-XXX | See page 482 |
| | TSX T16ES | 706-3057/300-XXX | See page 482 |
| | S7-300 T16E | 706-2300/101-XXX | See page 484 |
| | S7-300 2 x T16E | 706-2300/100-XXX | See page 484 |
| | S7-300 T8S | 706-2300/201-XXX | See page 484 |
| | S7-300 2 x T16S | 706-2300/200-XXX | See page 484 |
| | S7-300 T16ES | 706-2300/300-XXX | See page 485 |
| | S7-300 2 x T16ES | 706-2300/301-XXX | See page 485 |
| AI/AO | S7-300 A8E | 706-2300/400-XXX | See page 485 |
| | S7-300 A8E1 | 706-2300/404-XXX | See page 486 |
| | S7-300 A8E2 | 706-2300/406-XXX | See page 486 |
| | S7-300 A4SI | 706-2300/500-XXX | See page 486 |
| | S7-300 A8SI | 706-2300/502-XXX | See page 486 |

| Cable Length Overview | | | |
|-----------------------|------|--------|------------------|
| Item No. | -XXX | Length | Example |
| 706-2300/201-XXX | -100 | 1 m | 706-2300/201-100 |
| | -200 | 2 m | 706-2300/201-200 |
| | -300 | 3 m | 706-2300/201-300 |

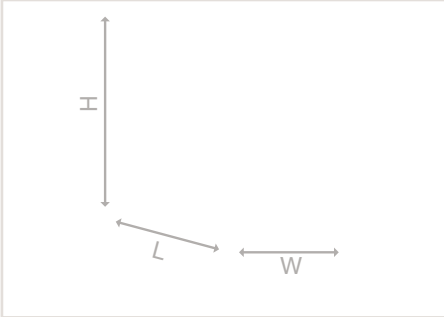
Interface Modules for System Wiring

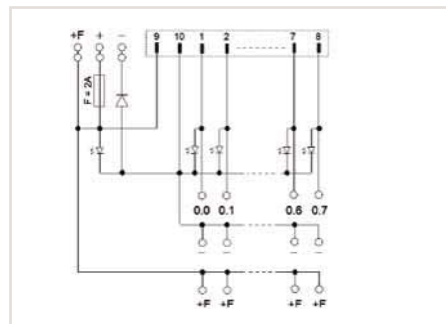
704 Series



Technical Data

| | |
|---------------------|--|
| Storage temperature | -40 ... +70 °C |
| Relative humidity | max. 85 % (no condensation) |
| Cross sections | 0.08 ... 2.5 mm ² / 28 ... 12 AWG |
| Strip length | 5 ... 6 mm / 0.2 ... 0.24 inch |





Interface module, for direct wiring (3 conductors)
8 channels, with integrated status indication,
10-pole connector acc. to DIN 41651

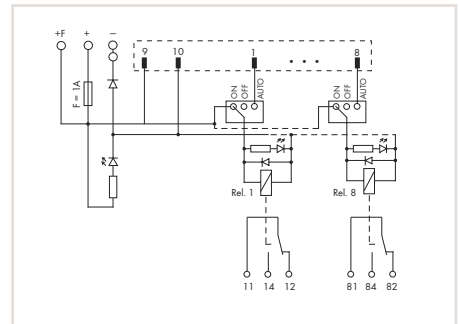
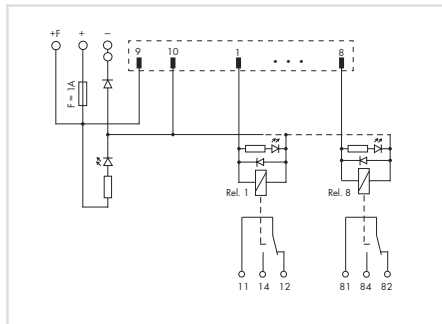
| Item No. | Pack. Unit |
|----------|------------|
| 704-2003 | 1 |

Technical Data

| | |
|--|---|
| Operating voltage | 24 VDC (±10 %) |
| Max. continuous current (per channel) | 1 A |
| Max. total current | 2 A |
| Fuse | 2 A |
| Status indication | LED green : channel LED yellow: Power supply |
| Power consumption LED | 5 mA |
| Nominal voltage | 50 V |
| Rated surge voltage | 0.8 kV |
| Pollution degree | 2 |
| Ambient operating temperature | -20 ... +50 °C |
| Dimensions incl. mounting carrier (mm) W x H x D | 56 x 63 x 85, height from upper-edge of DIN-rail |
| Connection technology | Input: 10-pole connector acc. to DIN 41651 Output: CAGE CLAMP® |

Interface Modules for System Wiring

704 Series



Relay output module with miniature switching relay for 8 channels, 1 changeover contact each (1 u) with integrated status indication, 10-pole connector acc. to DIN 41651

Relay output module with miniature switching relay for 8 channels, 1 changeover contact each (1 u) with integrated status indication and manual operation, 10-pole connector acc. to DIN 41651

| Item No. | Pack. Unit |
|----------|------------|
| 704-5003 | 1 |

| Item No. | Pack. Unit |
|----------|------------|
| 704-5013 | 1 |

Technical Data

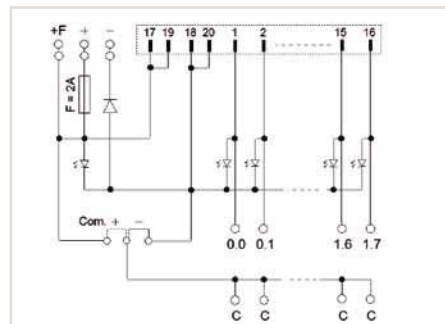
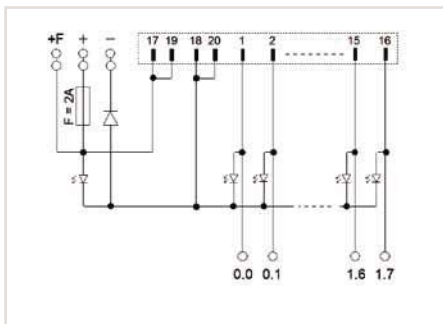
| | |
|--|---|
| Contact material | AgNi 90/10 |
| Contact type | 1 changeover contact |
| Operating voltage | 24 VDC (±10 %) |
| Max. switching voltage | 250 VAC/48 VDC |
| Max. continuous current | 5 A |
| Max. switching power (resistive) | 1250 VA / 50 W |
| Status indication | LED green : Channel LED yellow: Power supply |
| Mechanical life | 10 x 10 ⁶ switching operations |
| Dielectric strength contact-coil (AC, 1 min) | 4 kV |
| Dielectric strength contact-contact | 1 kV |
| Fuse | Supply: 1 A Relay output: |
| Pollution degree | 2 |
| Ambient operating temperature | -25 ... +40 °C |
| Dimensions incl. mounting carrier and relay (mm) W x H x D | 70 x 65 x 105, height from upper-edge of DIN-rail |
| Connection technology | Input: 10-pole connector acc. to DIN 41651 Output: CAGE CLAMP® |

| | |
|--|---|
| Contact material | AgNi 90/10 |
| Contact type | 1 changeover contact |
| Operating voltage | 24 VDC (±10 %) |
| Max. switching voltage | 250 VAC/48 VDC |
| Max. continuous current | 5 A |
| Max. switching power (resistive) | 1250 VA / 50 W |
| Status indication | LED green : channel LED yellow: Power supply |
| Mechanical life | 10 x 10 ⁶ switching operations |
| Dielectric strength contact-coil (AC, 1 min) | 4 kV |
| Dielectric strength contact-contact | 1 kV |
| Fuse | Supply: 1 A Relay output: |
| Pollution degree | 2 |
| Ambient operating temperature | -25 ... +40 °C |
| Dimensions incl. mounting carrier and relay (mm) W x H x D | 75 x 65 x 105, height from upper-edge of DIN-rail |
| Connection technology | Input: 10-pole connector acc. to DIN 41651 Output: CAGE CLAMP® |

Accessories (Selection)

| Accessories (Selection) | Item No. | Pack. Unit |
|-------------------------|----------|------------|
| Spare relay | 857-152 | 1 |

| Accessories (Selection) | Item No. | Pack. Unit |
|-------------------------|----------|------------|
| Spare relay | 857-152 | 1 |



Interface module,
for direct wiring (1 conductor)
16 channels, with integrated status indication,
20-pole connector acc. to DIN 41651

Interface module,
for direct wiring (2 conductors)
16 channels, with integrated status indication,
20-pole connector acc. to DIN 41651

| Item No. | Pack. Unit |
|----------|------------|
| 704-2004 | 1 |

| Item No. | Pack. Unit |
|----------|------------|
| 704-2024 | 1 |

Technical Data

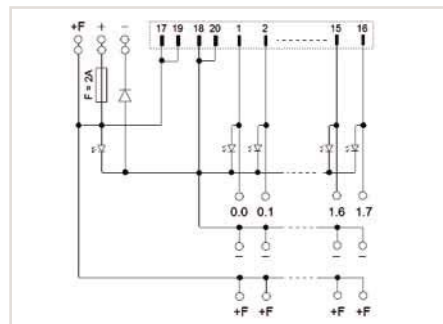
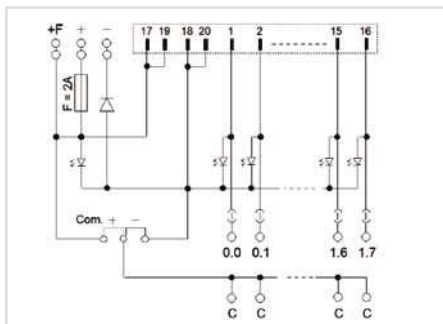
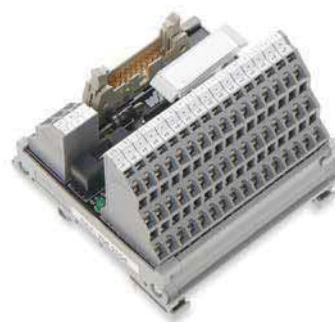
| | |
|--|---|
| Operating voltage | 24 VDC (±10 %) |
| Max. continuous current (per channel) | 1 A |
| Max. total current | 2 A |
| Fuse | 2 A |
| Status indication | LED green : channel LED yellow: Power supply |
| Power consumption LED | 5 mA |
| Nominal voltage | 50 V |
| Rated surge voltage | 0.8 kV |
| Pollution degree | 2 |
| Ambient operating temperature | -20 ... +50 °C |
| Dimensions incl. mounting carrier (mm) W x H x D | 55 x 50 x 85, height from upper-edge of DIN-rail |
| Connection technology | Input: 20-pole connector acc. to DIN 41651 Output: CAGE CLAMP® |

| | |
|--|---|
| Operating voltage | 24 VDC (±10 %) |
| Max. continuous current (per channel) | 1 A |
| Max. total current | 2 A |
| Fuse | 2 A |
| Status indication | LED green : channel LED yellow: Power supply |
| Power consumption LED | 5 mA |
| Nominal voltage | 50 V |
| Rated surge voltage | 0.8 kV |
| Pollution degree | 2 |
| Ambient operating temperature | -20 ... +50 °C |
| Dimensions incl. mounting carrier (mm) W x H x D | 85 x 50 x 85, height from upper-edge of DIN-rail |
| Connection technology | Input: 20-pole connector acc. to DIN 41651 Output: CAGE CLAMP® |

| | |
|--|---|
| Operating voltage | 24 VDC (±10 %) |
| Max. continuous current (per channel) | 1 A |
| Max. total current | 2 A |
| Fuse | 2 A |
| Status indication | LED green : channel LED yellow: Power supply |
| Power consumption LED | 5 mA |
| Nominal voltage | 50 V |
| Rated surge voltage | 0.8 kV |
| Pollution degree | 2 |
| Ambient operating temperature | -20 ... +50 °C |
| Dimensions incl. mounting carrier (mm) W x H x D | 85 x 50 x 85, height from upper-edge of DIN-rail |
| Connection technology | Input: 20-pole connector acc. to DIN 41651 Output: CAGE CLAMP® |

Interface Modules for System Wiring

704 Series



Interface module,
for direct wiring (2 conductors)
16 channels, with integrated status indication,
and disconnection
20-pole connector acc. to DIN 41651

Interface module,
for direct wiring (3 conductors)
16 channels, with integrated status indication,
20-pole connector acc. to DIN 41651

| Item No. | Pack. Unit |
|----------|------------|
| 704-2044 | 1 |

| Item No. | Pack. Unit |
|----------|------------|
| 704-2054 | 1 |

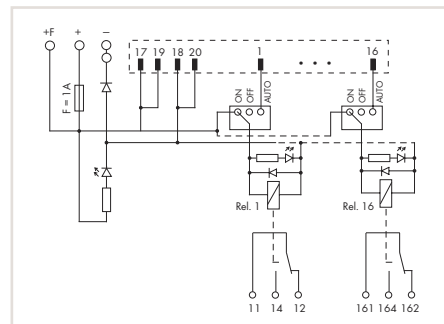
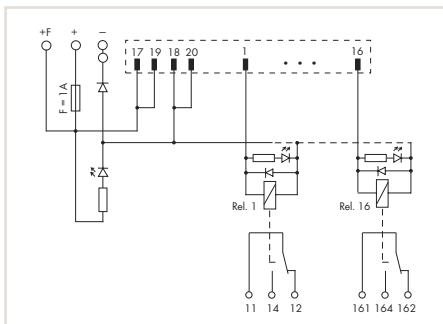
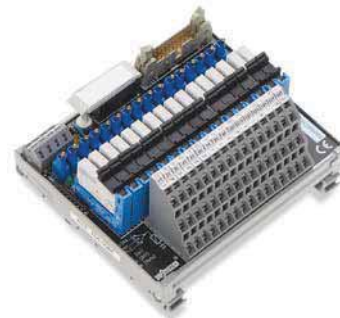
Technical Data

| | |
|--|---|
| Operating voltage | 24 VDC (±10 %) |
| Max. continuous current (per channel) | 1 A |
| Max. total current | 2 A |
| Fuse | 2 A |
| Status indication | LED green : channel LED yellow: Power supply |
| Power consumption LED | 5 mA |
| Nominal voltage | 50 V |
| Rated surge voltage | 0.8 kV |
| Pollution degree | 2 |
| Ambient operating temperature | -20 ... +50 °C |
| Dimensions incl. mounting carrier (mm) W x H x D | 99 x 50 x 85, height from upper-edge of DIN-rail |
| Connection technology | Input: 20-pole connector acc. to DIN 41651 Output: CAGE CLAMP® |

| | |
|--|---|
| Operating voltage | 24 VDC (±10 %) |
| Max. continuous current (per channel) | 1 A |
| Max. total current | 2 A |
| Fuse | 2 A |
| Status indication | LED green : channel LED yellow: Power supply |
| Power consumption LED | 5 mA |
| Nominal voltage | 50 V |
| Rated surge voltage | 0.8 kV |
| Pollution degree | 2 |
| Ambient operating temperature | -20 ... +50 °C |
| Dimensions incl. mounting carrier (mm) W x H x D | 85 x 50 x 85, height from upper-edge of DIN-rail |
| Connection technology | Input: 20-pole connector acc. to DIN 41651 Output: CAGE CLAMP® |

| | |
|--|---|
| Operating voltage | 24 VDC (±10 %) |
| Max. continuous current (per channel) | 1 A |
| Max. total current | 2 A |
| Fuse | 2 A |
| Status indication | LED green : channel LED yellow: Power supply |
| Power consumption LED | 5 mA |
| Nominal voltage | 50 V |
| Rated surge voltage | 0.8 kV |
| Pollution degree | 2 |
| Ambient operating temperature | -20 ... +50 °C |
| Dimensions incl. mounting carrier (mm) W x H x D | 85 x 50 x 85, height from upper-edge of DIN-rail |
| Connection technology | Input: 20-pole connector acc. to DIN 41651 Output: CAGE CLAMP® |

7



Relay output module with miniature switching relay for 16 channels, 1 changeover contact each (1 u) with integrated status indication, 20-pole connector acc. to DIN 41651

| Item No. | Pack. Unit |
|----------|------------|
| 704-5024 | 1 |

Relay output module with miniature switching relay for 16 channels, 1 changeover contact each (1 u) with integrated status indication and manual operation, 20-pole connector acc. to DIN 41651

| Item No. | Pack. Unit |
|----------|------------|
| 704-5044 | 1 |

Technical Data

| | |
|--|---|
| Contact material | AgNi 90/10 |
| Contact type | 1 changeover contact |
| Operating voltage | 24 VDC (±10 %) |
| Max. switching voltage | 250 VAC/48 VDC |
| Max. continuous current | 5 A |
| Max. switching power (resistive) | 1250 VA / 50 W |
| Status indication | LED green : channel LED yellow: Power supply |
| Mechanical life | 10 x 10 ⁶ switching operations |
| Dielectric strength contact-coil (AC, 1 min) | 4 kV |
| Dielectric strength contact-contact | 1 kV |
| Fuse | Supply: 1 A Relay output: |
| Pollution degree | 2 |
| 0.8 kV | -25 ... +40 °C |
| Dimensions incl. mounting carrier and relay (mm) W x H x D | 111 x 65 x 105, height from upper-edge of DIN-rail |
| Connection technology | Input: 20-pole connector acc. to DIN 41651 Output: CAGE CLAMP® |

| | |
|--|---|
| Contact material | AgNi 90/10 |
| Contact type | 1 changeover contact |
| Operating voltage | 24 VDC (±10 %) |
| Max. switching voltage | 250 VAC/48 VDC |
| Max. continuous current | 5 A |
| Max. switching power (resistive) | 1250 VA / 50 W |
| Status indication | LED green : channel LED yellow: Power supply |
| Mechanical life | 10 x 10 ⁶ switching operations |
| Dielectric strength contact-coil (AC, 1 min) | 4 kV |
| Dielectric strength contact-contact | 1 kV |
| Fuse | Supply: 1 A Relay output: |
| Pollution degree | 2 |
| 0.8 kV | -25 ... +40 °C |
| Dimensions incl. mounting carrier and relay (mm) W x H x D | 121 x 65 x 105, height from upper-edge of DIN-rail |
| Connection technology | Input: 20-pole connector acc. to DIN 41651 Output: CAGE CLAMP® |

Accessories (Selection)

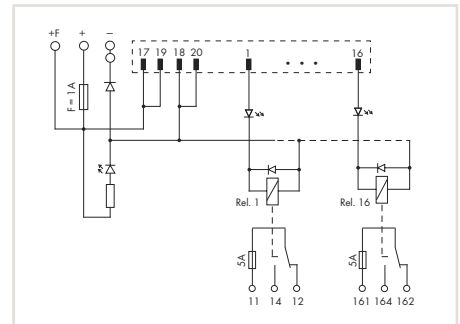
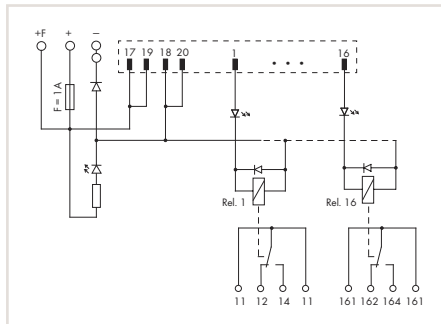
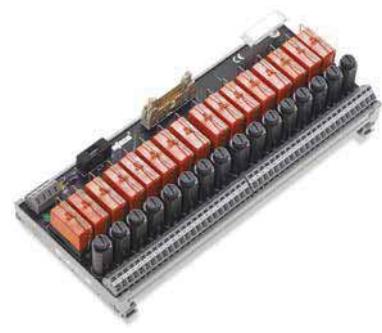
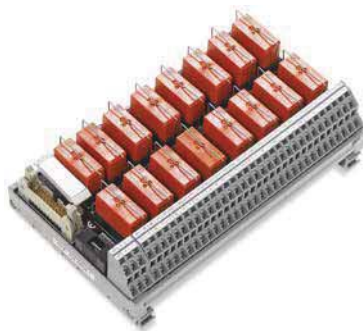
| | | |
|-------------|----------|------------|
| Spare relay | Item No. | Pack. Unit |
|-------------|----------|------------|

| | | |
|--|----------|------------|
| | Item No. | Pack. Unit |
| | 857-152 | 1 |

| | | |
|--|----------|------------|
| | Item No. | Pack. Unit |
| | 857-152 | 1 |

Interface Modules for System Wiring

704 Series



Relay output module with miniature switching relay for 16 channels, 1 changeover contact each (1 u) with integrated status indication, 20-pole connector acc. to DIN 41651

Relay output module with miniature switching relay for 16 channels, 1 changeover contact each (1 u) with integrated status indication and output fuse, 20-pole connector acc. to DIN 41651

| | Item No. | Pack. Unit |
|-----------------------------------|----------|------------|
| with miniature switching relay | 704-5004 | 1 |
| without miniature switching relay | 704-5014 | |

| | Item No. | Pack. Unit |
|--------------------------------|----------|------------|
| with miniature switching relay | 704-5034 | 1 |

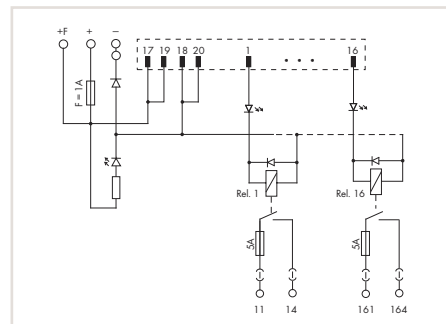
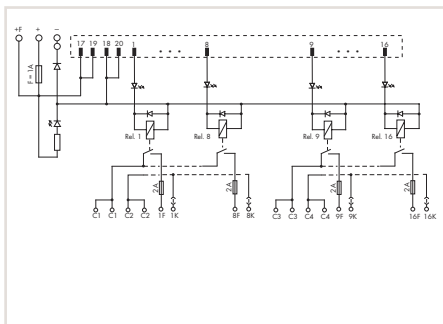
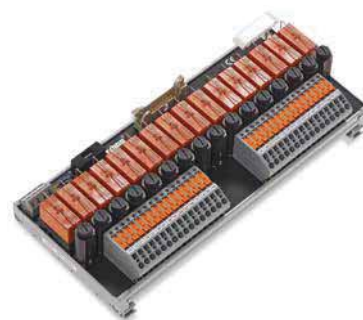
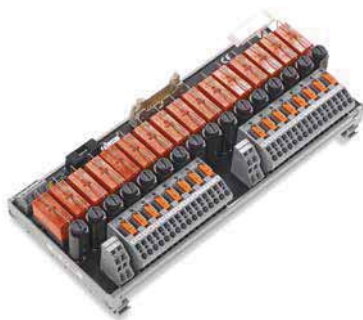
Technical Data

| | | |
|--|---|---|
| Contact material | AgNi 90/10 | AgNi 90/10 |
| Contact type | 1 changeover contact | 1 changeover contact |
| Operating voltage | 24 VDC (±10 %) | 24 VDC (±10 %) |
| Max. switching voltage | 250 VAC/48 VDC | 250 VAC/48 VDC |
| Max. continuous current | 5 A | 5 A |
| Make current | 2 s 16 A | 2 s 16 A |
| Max. switching power (resistive) | 1250 VA / 50 W | 1250 VA / 50 W |
| Status indication | LED green : channel LED yellow: Power supply | LED green : channel LED yellow: Power supply |
| Mechanical life | 30 x 10 ⁶ switching operations | 30 x 10 ⁶ switching operations |
| Dielectric strength contact-coil (AC, 1 min) | 3 kV | 4 kV |
| Dielectric strength contact-contact | 1 kV | 1 kV |
| Fuse | Supply: 1 A Relay output: | Supply: 1 A Relay output: 5 A |
| Pollution degree | 2 | 2 |
| Ambient operating temperature | -25 ... +50 °C | -25 ... +50 °C |
| Dimensions incl. mounting carrier and relay (mm) W x H x D | 180 x 50 x 105, height from upper-edge of DIN-rail | 247 x 55 x 105, height from upper-edge of DIN-rail |
| Connection technology | Input: 20-pole connector acc. to DIN 41651 Output: CAGE CLAMP® | Input: 20-pole connector acc. to DIN 41651 Output: CAGE CLAMP® |

Accessories (Selection)

| | Item No. | Pack. Unit | Item No. | Pack. Unit |
|-------------|----------|------------|----------|------------|
| Spare relay | 857-154 | 1 | 857-154 | 1 |

7



Relay output module with miniature switching relay for 16 channels, 1 make contact each (1 a) with integrated status indication, disconnect terminal block and output fuse, 20-pole connector acc. to DIN 41651

Relay output module with miniature switching relay for 16 channels, 1 make contact each (1 a) with integrated status indication, double disconnect terminal block and output fuse 20-pole connector acc. to DIN 41651

| Item No. | Pack. Unit |
|----------|------------|
| 704-5054 | 1 |

| Item No. | Pack. Unit |
|----------|------------|
| 704-5074 | 1 |

7

Technical Data

| | |
|--|---|
| Contact material | AgNi 90/10 |
| Contact type | 1 make contact |
| Operating voltage | 24 VDC (±10 %) |
| Max. switching voltage | 250 VAC/48 VDC |
| Max. continuous current | 2 A |
| Max. switching power (resistive) | 500 VA / 50 W |
| Status indication | LED green : channel LED yellow: Power supply |
| Mechanical life | 30 x 10 ⁶ switching operations |
| Dielectric strength contact-coil (AC, 1 min) | 4 kV |
| Dielectric strength contact-contact | 1 kV |
| Fuse | Supply: 1 A Relay output: 2 A |
| Pollution degree | 2 |
| Ambient operating temperature | -25 ... +50 °C |
| Dimensions incl. mounting carrier and relay (mm) W x H x D | 240 x 55 x 105, height from upper-edge of DIN-rail |
| Connection technology | Input: 20-pole connector acc. to DIN 41651 Output: CAGE CLAMP® |

| | |
|--|---|
| Contact material | AgNi 90/10 |
| Contact type | 1 make contact |
| Operating voltage | 24 VDC (±10 %) |
| Max. switching voltage | 250 VAC/48 VDC |
| Max. continuous current | 5 A |
| Max. switching power (resistive) | 1250 VA / 50 W |
| Status indication | LED green : channel LED yellow: Power supply |
| Mechanical life | 30 x 10 ⁶ switching operations |
| Dielectric strength contact-coil (AC, 1 min) | 4 kV |
| Dielectric strength contact-contact | 1 kV |
| Fuse | Supply: 1 A Relay output: 5 A |
| Pollution degree | 2 |
| Ambient operating temperature | -25 ... +50 °C |
| Dimensions incl. mounting carrier and relay (mm) W x H x D | 240 x 55 x 105, height from upper-edge of DIN-rail |
| Connection technology | Input: 20-pole connector acc. to DIN 41651 Output: CAGE CLAMP® |

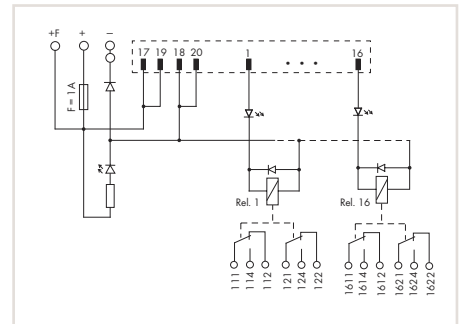
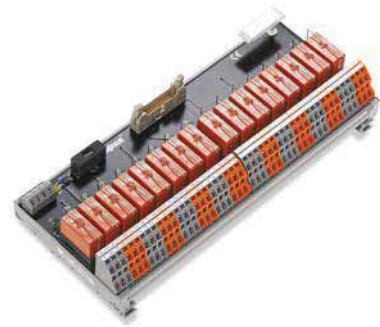
Accessories (Selection)

| Accessories (Selection) | Item No. | Pack. Unit |
|-------------------------|----------|------------|
| Spare relay | 857-154 | 1 |

| Accessories (Selection) | Item No. | Pack. Unit |
|-------------------------|----------|------------|
| Spare relay | 857-154 | 1 |

Interface Modules for System Wiring

704 Series



Relay output module
with miniature switching
relay for 16 channels,
2 changeover contacts each (2 u)
with integrated status indication,
20-pole connector acc. to DIN 41651

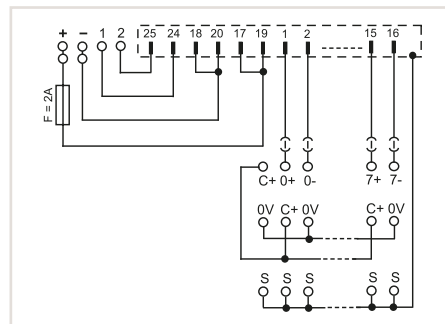
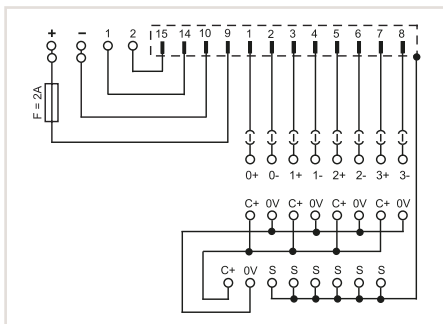
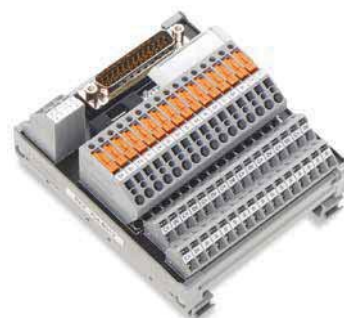
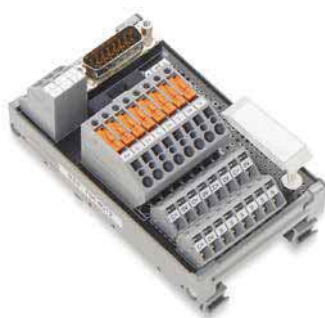
| Item No. | Pack. Unit |
|----------|------------|
| 704-5064 | 1 |

Technical Data

| | |
|--|---|
| Contact material | AgNi 90/10 |
| Contact type | 2 changeover contacts |
| Operating voltage | 24 VDC ($\pm 10\%$) |
| Max. switching voltage | 250 VAC/48 VDC |
| Max. continuous current | 5 A |
| Make current | 2 s 8 A |
| Max. switching power (resistive) | 1000 VA / 50 W |
| Status indication | LED green : channel LED yellow: Power supply |
| Mechanical life | 30 x 10 ⁶ switching operations |
| Dielectric strength contact-coil (AC, 1 min) | 4 kV |
| Dielectric strength contact-contact | 1 kV |
| Fuse | Supply: 1 A Relay output: |
| Pollution degree | 2 |
| Ambient operating temperature | -25 ... +50 °C |
| Dimensions incl. mounting carrier and relay (mm) W x H x D | 247 x 50 x 105, height from upper-edge of DIN-rail |
| Connection technology | Input: 20-pole connector acc. to DIN 41651 Output: CAGE CLAMP® |

Accessories (Selection)

| Item No. | Pack. Unit |
|----------|------------|
| 788-156 | 1 |



Interface module for analog sensors
2 and 4 conductors)
4 channels with integrated disconnection,
15-pole D-sub male connector

Interface module,
for analog sensors (2 and 4 conductors)
8 channels, with integrated disconnection
25-pole D-sub male connector

| Item No. | Pack. Unit |
|----------|------------|
| 704-8012 | 1 |

| Item No. | Pack. Unit |
|----------|------------|
| 704-8013 | 1 |

Technical Data

| | |
|--|--|
| Operating voltage | 48 VDC (max.) |
| Max. output current (per channel) | 1 A |
| Fuse | 2 A (supply) |
| Nominal voltage | 50 V |
| Rated surge voltage | 0.8 kV |
| Pollution degree | 2 |
| Ambient operating temperature | -20 ... +50 °C |
| Dimensions incl. mounting carrier (mm) W x H x D | 66 x 50 x 105, height from upper-edge of DIN-rail |
| Connection technology | Input: 15-pole D-Sub male connector Output: CAGE CLAMP® |

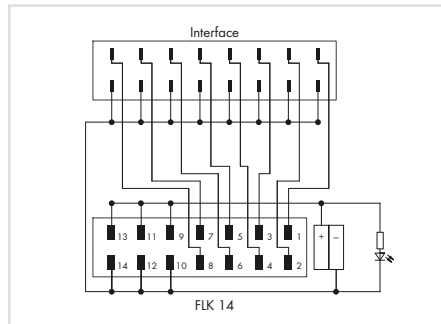
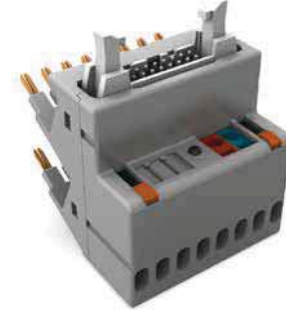
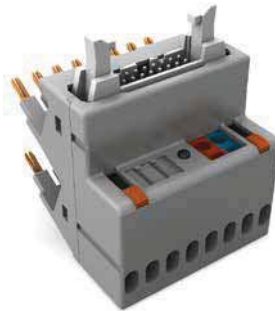
| | |
|--|--|
| Operating voltage | 48 VDC (max.) |
| Max. output current (per channel) | 1 A |
| Fuse | 2 A (supply) |
| Nominal voltage | 50 V |
| Rated surge voltage | 0.8 kV |
| Pollution degree | 2 |
| Ambient operating temperature | -20 ... +50 °C |
| Dimensions incl. mounting carrier (mm) W x H x D | 92 x 50 x 105, height from upper-edge of DIN-rail |
| Connection technology | Input: 25-pole D-Sub male connector Output: CAGE CLAMP® |

| | |
|--|--|
| Operating voltage | 48 VDC (max.) |
| Max. output current (per channel) | 1 A |
| Fuse | 2 A (supply) |
| Nominal voltage | 50 V |
| Rated surge voltage | 0.8 kV |
| Pollution degree | 2 |
| Ambient operating temperature | -20 ... +50 °C |
| Dimensions incl. mounting carrier (mm) W x H x D | 92 x 50 x 105, height from upper-edge of DIN-rail |
| Connection technology | Input: 25-pole D-Sub male connector Output: CAGE CLAMP® |

Interface Modules for System Wiring

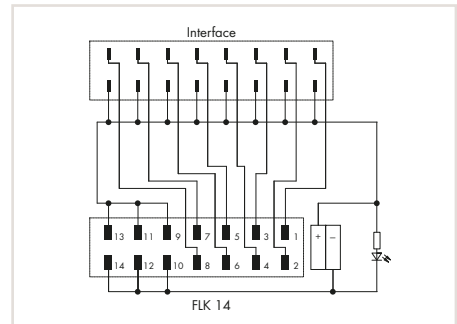
Interface Adapter

857 Series



8-channel adapter with 14-pole connector acc. to DIN 41651, high-side switching input

| | Item No. | Pack. Unit |
|--|----------|------------|
| | 857-981 | 1 |



8-channel adapter with 14-pole connector acc. to DIN 41651, high-side switching output

| | Item No. | Pack. Unit |
|--|----------|------------|
| | 857-982 | 1 |

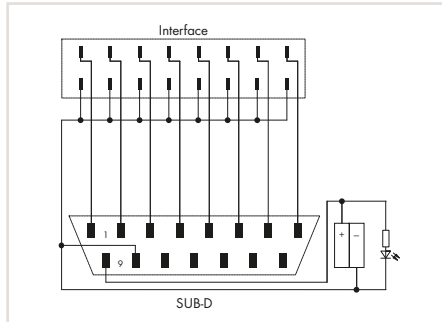
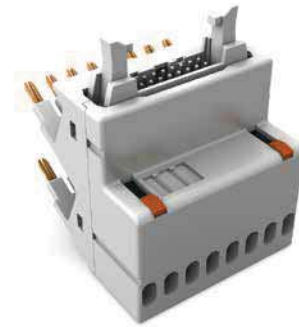
7

Technical Data

| | |
|---------------------------------------|--|
| Connection type, signal level | 14-pole connector acc. to DIN 41651 |
| Performance level | 3 |
| Contact resistance | ≤ 20 mΩ |
| Current carrying capacity | 1 A |
| Test voltage | 500 V / 50 Hz / 1 min. |
| Nominal supply voltage U _N | 24 VDC |
| Supply voltage range | 16.8 ... 31.2 V |
| Max. total current | 3 A |
| Status indication | LED, green |
| Connection type, supply | CAGE CLAMP® (231 Series) |
| Cross sections | 0.08 ... 2.5 mm ² / 28 ... 14 AWG |
| Strip length | 5 ... 6 mm / 0.2 ... 0.24 inch |

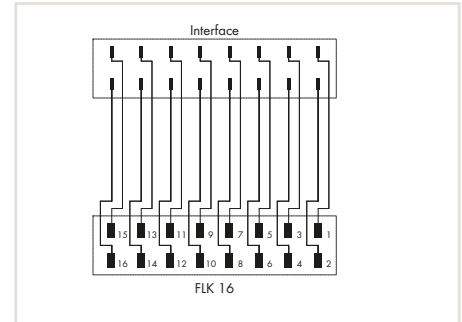
| | |
|---------------------------------------|--|
| Connection type, signal level | 14-pole connector acc. to DIN 41651 |
| Performance level | 3 |
| Contact resistance | ≤ 20 mΩ |
| Current carrying capacity | 1 A |
| Test voltage | 500 V / 50 Hz / 1 min. |
| Nominal supply voltage U _N | 24 VDC |
| Supply voltage range | 16.8 ... 31.2 V |
| Max. total current | 3 A |
| Status indication | LED, green |
| Connection type, supply | CAGE CLAMP® (231 Series) |
| Cross sections | 0.08 ... 2.5 mm ² / 28 ... 14 AWG |
| Strip length | 5 ... 6 mm / 0.2 ... 0.24 inch |

| | |
|---------------------------------------|--|
| Connection type, signal level | 14-pole connector acc. to DIN 41651 |
| Performance level | 3 |
| Contact resistance | ≤ 20 mΩ |
| Current carrying capacity | 1 A |
| Test voltage | 500 V / 50 Hz / 1 min. |
| Nominal supply voltage U _N | 24 VDC |
| Supply voltage range | 16.8 ... 31.2 V |
| Max. total current | 3 A |
| Status indication | LED, green |
| Connection type, supply | CAGE CLAMP® (231 Series) |
| Cross sections | 0.08 ... 2.5 mm ² / 28 ... 14 AWG |
| Strip length | 5 ... 6 mm / 0.2 ... 0.24 inch |



8-channel adapter with D-sub male connector
Input, positive switching

| | Item No. | Pack. Unit |
|--|----------|------------|
| | 857-986 | 1 |



8-channel adapter with 16-pole connector
acc. to DIN 41651, analog

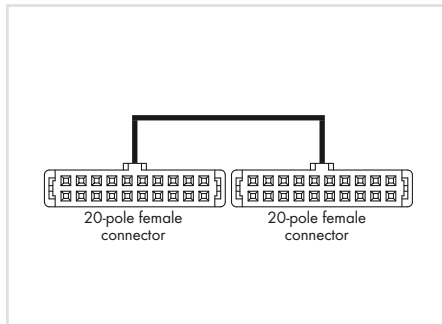
| | Item No. | Pack. Unit |
|--|----------|------------|
| | 857-980 | 1 |

Technical Data

| | |
|---------------------------------------|--|
| Connection type, signal level | 15-pole D-sub male connector |
| Performance level | 2 |
| Contact resistance | ≤ 10 mΩ |
| Current carrying capacity | 1 A |
| Test voltage | 500 V / 50 Hz / 1 min. |
| Nominal supply voltage U _N | 24 VDC |
| Supply voltage range | 16.8 ... 31.2 V |
| Max. total current | 3 A |
| Status indication | LED, green |
| Connection type, supply | CAGE CLAMP® (231 Series) |
| Cross sections | 0.08 ... 2.5 mm ² / 28 ... 14 AWG |
| Strip length | 5 ... 6 mm / 0.2 ... 0.24 inch |
| Overvoltage category | |
| Pollution degree | |

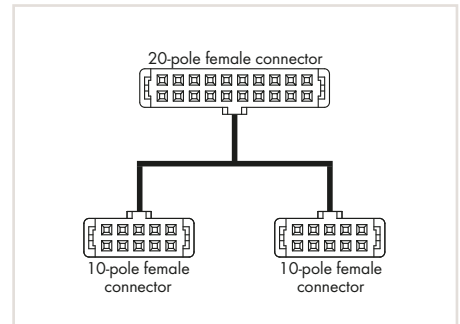
| | |
|---------------------------------------|--|
| Connection type, signal level | 16-pole connector acc. to DIN 41651 |
| Performance level | 3 |
| Contact resistance | ≤ 20 mΩ |
| Current carrying capacity | 1 A |
| Test voltage | 500 V / 50 Hz / 1 min. |
| Nominal supply voltage U _N | |
| Supply voltage range | |
| Max. total current | |
| Status indication | |
| Connection type, supply | |
| Cross sections | |
| Strip length | |
| Overvoltage category | III |
| Pollution degree | 2 |

WAGO Interface Cables for 289, 704 Series, in Connection with WAGO-I/O-SYSTEM 750 706 Series



| WAGO Interface Cable, 20/20 | | |
|-----------------------------|------------------|------------|
| Length | Item No. | Pack. Unit |
| 1 m | 706-3057/300-100 | 1 |
| 2 m | 706-3057/300-200 | 1 |
| 3 m | 706-3057/300-300 | 1 |

WAGO's Interface Cables provide fast and easy connection of WAGO I/O Modules equipped with a HE 10 pluggable connector (750-1400, -1402, -1500, -1501, -1502) to appropriate interface or relay modules (16-channel) featuring a 20-pole HE 10 pluggable connector.



| WAGO Interface Cable, 20/2x10 | | |
|-------------------------------|------------------|------------|
| Length | Item No. | Pack. Unit |
| 1 m | 706-7753/302-100 | 1 |
| 2 m | 706-7753/302-200 | 1 |

WAGO's Interface Cables provide fast and easy connection of WAGO I/O Modules equipped with a HE 10 pluggable connector (750-1400, -1402, -1500, -1501, -1502) to appropriate interface or relay modules featuring a 10-pole HE 10 pluggable connector. For example, this cable connects two relay modules (8-channel) to a WAGO I/O Module.

Technical Data

| | | |
|-----------------------|---|---|
| Ports | 2 x 20-pole connector acc. to DIN 41651 | 1 x 20-pole / 2 x 10-pole connector acc. to DIN 41651 |
| Wire cross-section | 0.14 mm ² LiYY | 0.14 mm ² LiYY |
| Color code | Per DIN VDE 47100 | Per DIN VDE 47100 |
| Current per channel | 1 A (max.) | 1 A (max.) |
| Operating temperature | -25 ... +70 °C | -25 ... +70 °C |
| Protection type | IP20 | IP20 |

7

WAGO Interface Cables for 289, 704 Series, in Connection with Siemens S7-300 706 Series



| WAGO Interface Cable, 2 x T16E | | |
|--------------------------------|------------------|------------|
| Length | Item No. | Pack. Unit |
| 1 m | 706-2300/100-100 | 1 |
| 2 m | 706-2300/100-200 | 1 |
| 3 m | 706-2300/100-300 | 1 |

| WAGO Interface Cable, T16E | | |
|----------------------------|------------------|------------|
| Length | Item No. | Pack. Unit |
| 1 m | 706-2300/101-100 | 1 |
| 2 m | 706-2300/101-200 | 1 |
| 3 m | 706-2300/101-300 | 1 |

Technical Data

| | |
|-----------------------|--|
| Ports | 1 x Fujitsu FCN-367-J40 2 x 20-pole pluggable connector per DIN 41651 |
| Wire cross-section | 0.14 mm ² LiYY |
| Color code | Per DIN VDE 47100 |
| Operating voltage | 60 V |
| Current per channel | 1 A (max.) |
| Operating temperature | -20 ... +50 °C |
| Protection type | IP20 |

| | |
|-----------------------|--|
| Ports | 1 x Siemens 6ES7-392-1BJ00-0AA0 1 x 20-pole pluggable connector per DIN 41651 |
| Wire cross-section | 0.14 mm ² LiYY |
| Color code | Per DIN VDE 47100 |
| Operating voltage | 60 V |
| Current per channel | 1 A (max.) |
| Operating temperature | -20 ... +50 °C |
| Protection type | IP20 |

7



Similar to pictured cable

| WAGO Interface Cable, 2 x T16S | | |
|--------------------------------|------------------|------------|
| Length | Item No. | Pack. Unit |
| 1 m | 706-2300/200-100 | 1 |
| 2 m | 706-2300/200-200 | 1 |
| 3 m | 706-2300/200-300 | 1 |

| WAGO Interface Cable, T8S | | |
|---------------------------|------------------|------------|
| Length | Item No. | Pack. Unit |
| 1 m | 706-2300/201-100 | 1 |
| 2 m | 706-2300/201-200 | 1 |
| 3 m | 706-2300/201-300 | 1 |

Technical Data

| | |
|-----------------------|--|
| Ports | 1 x Fujitsu FCN-367-J40 2 x 20-pole pluggable connector per DIN 41651 |
| Wire cross-section | 0.14 mm ² LiYY |
| Color code | Per DIN VDE 47100 |
| Operating voltage | 60 V |
| Current per channel | 1 A (max.) |
| Operating temperature | -20 ... +50 °C |
| Protection type | IP20 |

| | |
|-----------------------|--|
| Ports | 1 x Siemens 6ES7-392-1BJ00-0AA0 1 x 10-pole pluggable connector per DIN 41651 |
| Wire cross-section | 0.14 mm ² LiYY |
| Color code | Per DIN VDE 47100 |
| Operating voltage | 60 V |
| Current per channel | 1 A (max.) |
| Operating temperature | -20 ... +50 °C |
| Protection type | IP20 |

WAGO Interface Cable,
T16ES

| Length | Item No. | Pack. Unit |
|--------|------------------|------------|
| 1 m | 706-2300/300-100 | 1 |
| 2 m | 706-2300/300-200 | 1 |
| 3 m | 706-2300/300-300 | 1 |

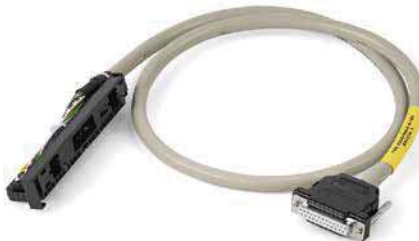
WAGO Interface Cable,
2 x T16ES

| Length | Item No. | Pack. Unit |
|--------|------------------|------------|
| 1 m | 706-2300/301-100 | 1 |
| 2 m | 706-2300/301-200 | 1 |
| 3 m | 706-2300/301-300 | 1 |

Technical Data

| | |
|-----------------------|--|
| Ports | 1 x Siemens 6ES7-392-1BJ00-0AA0 1 x 20-pole pluggable connector per DIN 41651 |
| Wire cross-section | 0.14 mm ² LiYY |
| Color code | Per DIN VDE 47100 |
| Operating voltage | 60 V |
| Current per channel | 1 A (max.) |
| Operating temperature | -20 ... +50 °C |
| Protection type | IP20 |

| | |
|-----------------------|--|
| Ports | 1 x Siemens 6ES7-392-1BM00-0AA0 2 x 20-pole pluggable connector per DIN 41651 |
| Wire cross-section | 0.14 mm ² LiYY |
| Color code | Per DIN VDE 47100 |
| Operating voltage | 60 V |
| Current per channel | 1 A (max.) |
| Operating temperature | -20 ... +50 °C |
| Protection type | IP20 |

WAGO Interface Cable,
A8E

| Length | Item No. | Pack. Unit |
|--------|------------------|------------|
| 1 m | 706-2300/400-100 | 1 |
| 2 m | 706-2300/400-200 | 1 |
| 3 m | 706-2300/400-300 | 1 |

Technical Data

| | |
|-----------------------|--|
| Ports | 1 x Siemens 6ES7-392-1BJ00-0AA0 1 x 25-pole D-subminiature female connector |
| Wire cross-section | 0.25 mm ² Li YCY |
| Color code | Per DIN VDE 47100 |
| Operating voltage | 35 V |
| Current per channel | 2 A (max.) |
| Operating temperature | -20 ... +50 °C |
| Protection type | IP20 |

WAGO Interface Cables for 289, 704 Series, in Connection with Siemens S7-300 706 Series



| WAGO Interface Cable, A8E11 | | |
|-----------------------------|------------------|------------|
| Length | Item No. | Pack. Unit |
| 1 m | 706-2300/404-100 | 1 |
| 2 m | 706-2300/404-200 | 1 |
| 3 m | 706-2300/404-300 | 1 |



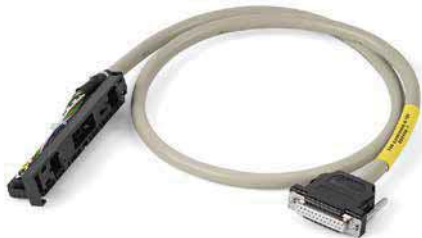
| WAGO Interface Cable, A8E12 | | |
|-----------------------------|------------------|------------|
| Length | Item No. | Pack. Unit |
| 1 m | 706-2300/406-100 | 1 |
| 2 m | 706-2300/406-200 | 1 |
| 3 m | 706-2300/406-300 | 1 |

Technical Data

| | |
|-----------------------|--|
| Ports | 1 x Siemens 6ES7-392-1BM00-0AA0 1 x 25-pole D-subminiature female connector |
| Wire cross-section | 0.25 mm ² Li YCY |
| Color code | Per DIN VDE 47100 |
| Operating voltage | 35 V |
| Current per channel | 2 A (max.) |
| Operating temperature | -20 ... +50 °C |
| Protection type | IP20 |

| | |
|-----------------------|--|
| Ports | 1 x Siemens 6ES7-392-1BM00-0AA0 1 x 25-pole D-subminiature female connector |
| Wire cross-section | 0.25 mm ² Li YCY |
| Color code | Per DIN VDE 47100 |
| Operating voltage | 35 V |
| Current per channel | 2 A (max.) |
| Operating temperature | -20 ... +50 °C |
| Protection type | IP20 |

7



| WAGO Interface Cable, A4SI | | |
|----------------------------|------------------|------------|
| Length | Item No. | Pack. Unit |
| 1 m | 706-2300/500-100 | 1 |
| 2 m | 706-2300/500-200 | 1 |
| 3 m | 706-2300/500-300 | 1 |



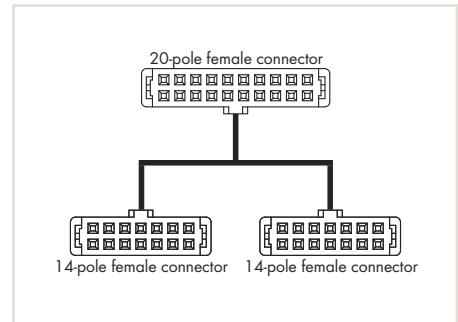
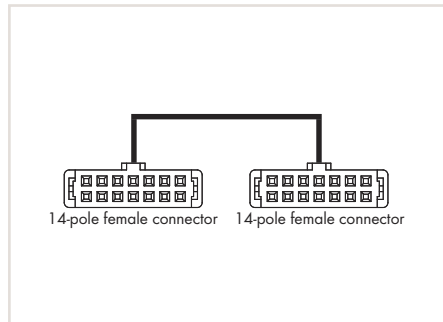
| WAGO Interface Cable, A8SI | | |
|----------------------------|------------------|------------|
| Length | Item No. | Pack. Unit |
| 1 m | 706-2300/502-100 | 1 |
| 2 m | 706-2300/502-200 | 1 |
| 3 m | 706-2300/502-300 | 1 |

Technical Data

| | |
|-----------------------|--|
| Ports | 1 x Siemens 6ES7-392-1BJ00-0AA0 1 x 15-pole D-subminiature female connector |
| Wire cross-section | 0.25 mm ² Li YCY |
| Color code | Per DIN VDE 47100 |
| Operating voltage | 35 V |
| Current per channel | 2 A (max.) |
| Operating temperature | -20 ... +50 °C |
| Protection type | IP20 |

| | |
|-----------------------|--|
| Ports | 1 x Siemens 6ES7-392-1BM00-0AA0 1 x 25-pole D-subminiature female connector |
| Wire cross-section | 0.25 mm ² Li YCY |
| Color code | Per DIN VDE 47100 |
| Operating voltage | 35 V |
| Current per channel | 2 A (max.) |
| Operating temperature | -20 ... +50 °C |
| Protection type | IP20 |

WAGO Interface Cables for Interface Adapters, 857 Series 706 Series



| WAGO Interface Cable, 14/14 | | |
|-----------------------------|-----------------|------------|
| Length | Item No. | Pack. Unit |
| 1 m | 706-753/300-100 | 1 |
| 2 m | 706-753/300-200 | 1 |
| 3 m | 706-753/300-300 | 1 |

| WAGO Interface Cable, 20/2x14 | | |
|-------------------------------|------------------|------------|
| Length | Item No. | Pack. Unit |
| 1 m | 706-7753/304-100 | 1 |
| 2 m | 706-7753/304-200 | 1 |
| 3 m | 706-7753/304-300 | 1 |

WAGO's Interface Cables provide fast and easy connection of WAGO I/O Modules equipped with pluggable connectors. The following WAGO I/O Modules and Adapters are compatible:
750-1500 (16 DO) --> 857-981 (DO)
750-1502 (8 DO / 8 DI) --> 857-981 (DO) and 857-982 (DI)

Suitable for system wiring when combined with WAGO's Interface Adapter (Item No. 857-981 and 857-982)

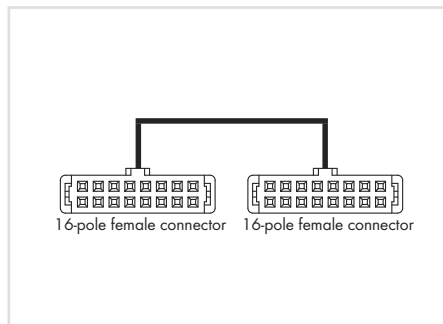
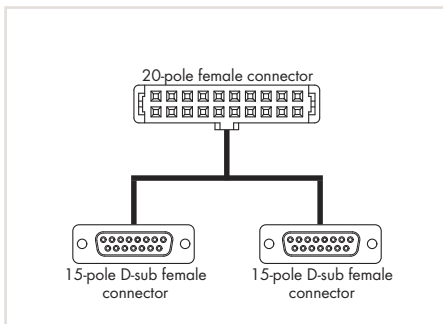
Suitable for system wiring when combined with WAGO's Interface Adapter (Item No. 857-981 and 857-982)

Technical Data

| | |
|-----------------------|---|
| Ports | 2 x 14-pole pluggable connector acc. to DIN 41651 |
| Wire cross-section | 0.14 mm ² LiYY |
| Color code | Per DIN VDE 47100 |
| Current per channel | 1 A (max.) |
| Operating temperature | -25 ... +70 °C |
| Protection type | IP20 |

| | |
|-----------------------|---|
| Ports | 1 x 20-pole pluggable connector / 2 x 14-pole pluggable connector acc. to DIN 41651 |
| Wire cross-section | 0.14 mm ² LiYY |
| Color code | Per DIN VDE 47100 |
| Current per channel | 1 A (max.) |
| Operating temperature | -25 ... +70 °C |
| Protection type | IP20 |

7



WAGO Interface Cable, 20/2x15

| Length | Item No. | Pack. Unit |
|--------|------------------|------------|
| 1 m | 706-7753/306-100 | 1 |
| 2 m | 706-7753/306-200 | 1 |
| 3 m | 706-7753/306-300 | 1 |

WAGO Interface Cable, 16/16

| Length | Item No. | Pack. Unit |
|--------|-----------------|------------|
| 1 m | 706-753/301-100 | 1 |
| 2 m | 706-753/301-200 | 1 |
| 3 m | 706-753/301-300 | 1 |

WAGO's Interface Cables provide fast and easy connection of WAGO I/O Modules equipped with pluggable connectors. The following WAGO I/O Modules and D-sub Adapters are compatible:
750-1500 (16 DO) --> 857-986 (DO)

Suitable for system wiring when combined with WAGO's Interface Adapter (Item No. 857-986)

Suitable for system wiring when combined with WAGO's Interface Adapter (Item No. 857-980)











Technical Data




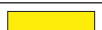










| | |
|-----------------------|--|
| Ports | 1 x 20-pole pluggable connector per DIN 41651 / 2 x 15-pole D-sub female connector per DIN 41652 |
| Wire cross-section | 0.14 mm ² LiYY |
| Color code | Per DIN VDE 47100 |
| Current per channel | 1 A (max.) |
| Operating temperature | -25 ... +70 °C |
| Protection type | IP20 |

| | |
|-----------------------|---|
| Ports | 2 x 16-pole pluggable connector acc. to DIN 41651 |
| Wire cross-section | 0.14 mm ² LiYY |
| Color code | Per DIN VDE 47100 |
| Current per channel | 1 A (max.) |
| Operating temperature | -25 ... +70 °C |
| Protection type | IP20 |

WAGO Interface Cables for Interface Adapters, 857 Series 706 Series



| Color coding acc. to DIN VDE 47100 | | HE 10 14-pole |
|---------------------------------------|---|------------------|
| | | Contact number |
| white |  | 1 |
| brown |  | 2 |
| green |  | 3 |
| yellow |  | 4 |
| grey |  | 5 |
| pink |  | 6 |
| blue |  | 7 |
| red |  | 8 |
| black |  | 9 |
| violet |  | 10 |

| Color coding acc. to DIN VDE 47100 | | HE 10 16-pole |
|---------------------------------------|---|------------------|
| | | Contact number |
| white |  | 1 |
| brown |  | 2 |
| green |  | 3 |
| yellow |  | 4 |
| grey |  | 5 |
| pink |  | 6 |
| blue |  | 7 |
| red |  | 8 |
| black |  | 9 |
| violet |  | 10 |
| grey/pink |  | 11 |
| red/blue |  | 12 |
| white/green |  | 13 |
| brown/green |  | 14 |

| WAGO Interface Cable, 10-pole/free open end | | |
|--|------------------|------------|
| Length | Item No. | Pack. Unit |
| 2 m | 706-100/1301-200 | 1 |

| WAGO Interface Cable, 14-pole/one free cable end | | |
|---|------------------|------------|
| Length | Item No. | Pack. Unit |
| 2 m | 706-100/1303-200 | 1 |

Technical Data

| | |
|-----------------------|--|
| Ports | 10-pole HE 10 pluggable connector/open end |
| Wire cross-section | 0.14 mm ² LiYY |
| Color code | Per DIN VDE 47100 |
| Current per channel | 1 A (max.) |
| Operating temperature | -25 ... +70 °C |
| Protection type | IP20 |

| | |
|-----------------------|--|
| Ports | 14-pole HE 10 pluggable connector/open end |
| Wire cross-section | 0.14 mm ² LiYY |
| Color code | Per DIN VDE 47100 |
| Current per channel | 1 A (max.) |
| Operating temperature | -25 ... +70 °C |
| Protection type | IP20 |

7



| Color coding acc. to DIN VDE 47100 | | HE 10 16-pole Contact number |
|---------------------------------------|--|------------------------------------|
| white | | 1 |
| brown | | 2 |
| green | | 3 |
| yellow | | 4 |
| grey | | 5 |
| pink | | 6 |
| blue | | 7 |
| red | | 8 |
| black | | 9 |
| violet | | 10 |
| grey/pink | | 11 |
| red/blue | | 12 |
| white/green | | 13 |
| brown/green | | 14 |
| white/yellow | | 15 |
| yellow/brown | | 16 |

| Color coding acc. to DIN VDE 47100 | | HE 10 20-pole Contact number |
|---------------------------------------|--|------------------------------------|
| white | | 1 |
| brown | | 2 |
| green | | 3 |
| yellow | | 4 |
| grey | | 5 |
| pink | | 6 |
| blue | | 7 |
| red | | 8 |
| black | | 9 |
| violet | | 10 |
| grey/pink | | 11 |
| red/blue | | 12 |
| white/green | | 13 |
| brown/green | | 14 |
| white/yellow | | 15 |
| yellow/brown | | 16 |
| white/grey | | 17 |
| grey/brown | | 18 |
| white/pink | | 19 |
| pink/brown | | 20 |

| WAGO Interface Cable, 16-pole/one free open end | | |
|--|------------------|------------|
| Length | Item No. | Pack. Unit |
| 2 m | 706-100/1602-200 | 1 |

| WAGO Interface Cable, 20-pole/free open end | | |
|--|------------------|------------|
| Length | Item No. | Pack. Unit |
| 2 m | 706-100/1300-200 | 1 |

Technical Data

| | |
|-----------------------|--|
| Ports | 16-pole HE 10 pluggable connector/open end |
| Wire cross-section | 0.14 mm ² LiYY |
| Color code | Per DIN VDE 47100 |
| Current per channel | 1 A (max.) |
| Operating temperature | -25 ... +70 °C |
| Protection type | IP20 |

| | |
|-----------------------|--|
| Ports | 20-pole HE 10 pluggable connector/open end |
| Wire cross-section | 0.14 mm ² LiYY |
| Color code | Per DIN VDE 47100 |
| Current per channel | 1 A (max.) |
| Operating temperature | -25 ... +70 °C |
| Protection type | IP20 |

| | |
|-----------------------|--|
| Ports | 20-pole HE 10 pluggable connector/open end |
| Wire cross-section | 0.14 mm ² LiYY |
| Color code | Per DIN VDE 47100 |
| Current per channel | 1 A (max.) |
| Operating temperature | -25 ... +70 °C |
| Protection type | IP20 |

7



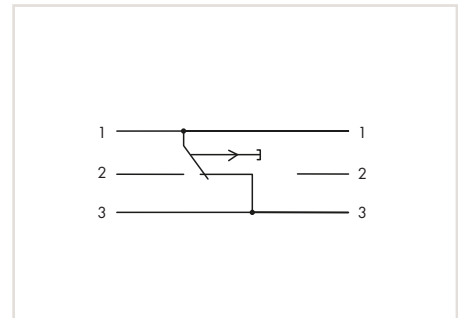
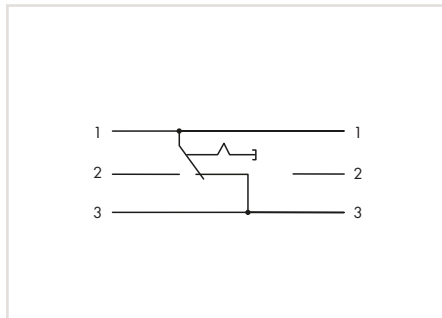
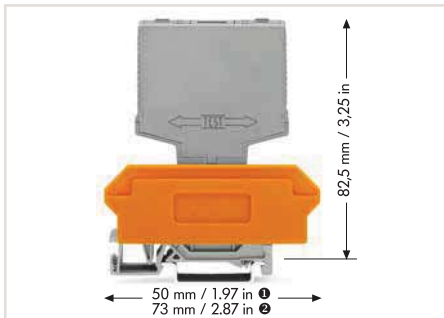
Interface Modules with Specialty Functions

Interface Modules with Specialty Functions

| | | Page |
|---|--|------|
|  | Switching Modules | |
| | Pluggable Modules – Switches, 286 Series | 494 |
| | Switching Modules in a DIN-Rail Mount Enclosure, 789 Series | 496 |
| | Manual Operation Modules in a DIN-Rail Mount Enclosure, 789 Series | 500 |
|  | Component Modules | |
| | Pluggable Modules – Diode Gates, 286 Series | 502 |
| | DIN-Rail-Mount Modules – Diode Gates, 289 Series | 504 |
| | DIN-Rail-Mount Modules – Resistors, 289 Series | 511 |
| | DIN-Rail-Mount Modules for Building Custom Circuits, 289 Series | 512 |
|  | Potential Multiplication Modules | |
| | DIN-Rail-Mount Potential Multiplication Modules, 288 Series | 514 |
|  | Modules with Additional Specialty Functions | |
| | Pluggable Modules – Current Flow Monitoring, 286 Series | 518 |
| | Pluggable Modules – Fuses, 286 Series | 520 |
| | Pluggable Modules – AND Gate, 286 Series | 522 |
| | Pluggable Modules – Flip-Flop, 286 Series | 523 |
|  | Indicator Modules | |
| | DIN-Rail-Mount Modules – LED Gate, 289 Series | 521 |
|  | Rectifier Modules | |
| | Pluggable Modules – Bridge Rectifiers, 286 Series | 523 |

Pluggable Modules – Switches

286 Series



Switching module, with changeover rocker switch, switching voltage: 250 VAC, switching current: 6 A

| | Item No. | Pack. Unit |
|--|----------|------------|
| | 286-895 | 1 |

Switching module, with momentary switch, switching voltage: 250 VAC, switching current: 6 A

| | Item No. | Pack. Unit |
|--|----------|------------|
| | 286-896 | 1 |

Technical Data

| | |
|-------------------------------|-------------------------------|
| Max. switching voltage | 24 VDC / 250 VAC |
| Switching current, resistive | 6 AAC |
| Switching current, inductive | 4 AAC |
| Electrical life | ≥ 50,000 switching operations |
| Contact gap | ≥ 3 mm |
| Isolation voltage | 1250 V |
| Ambient operating temperature | -20 ... +40 °C |
| Standards/approvals | Switch tested per EN 61058-1 |

| | |
|-------------------------------|-------------------------------|
| Max. switching voltage | 24 VDC / 250 VAC |
| Switching current, resistive | 6 AAC |
| Switching current, inductive | 4 AAC |
| Electrical life | ≥ 50,000 switching operations |
| Contact gap | ≥ 3 mm |
| Isolation voltage | 1250 V |
| Ambient operating temperature | -20 ... +40 °C |
| Standards/approvals | Switch tested per EN 61058-1 |

| | |
|-------------------------------|-------------------------------|
| Max. switching voltage | 24 VDC / 250 VAC |
| Switching current, resistive | 6 AAC |
| Switching current, inductive | 4 AAC |
| Electrical life | ≥ 50,000 switching operations |
| Contact gap | ≥ 3 mm |
| Isolation voltage | 1250 V |
| Ambient operating temperature | -20 ... +40 °C |
| Standards/approvals | Switch tested per EN 61058-1 |

Accessories (Selection)

Terminal Block for Pluggable Modules

| | | | |
|--|-------|---------|---|
| with 2-conductor terminal blocks, orange separator ① | 17 mm | 280-619 | 1 |
| with 4-conductor terminal blocks, orange separator ② | 17 mm | 280-609 | 1 |
| with 4-conductor terminal blocks, marking plate ② | 20 mm | 280-763 | 1 |
| Conductor range: 0.08 ... 2.5 mm ² / 28 ... 14 AWG Strip length: 8 ... 9 mm / 0.31 ... 0.35 inch | | | |

| Width | Item No. | Pack. Unit |
|-------|----------|------------|
| 17 mm | 280-619 | 1 |
| 17 mm | 280-609 | 1 |
| 20 mm | 280-763 | 1 |

| Width | Item No. | Pack. Unit |
|-------|----------|------------|
| 17 mm | 280-619 | 1 |
| 17 mm | 280-609 | 1 |
| 20 mm | 280-763 | 1 |

WSB marker card

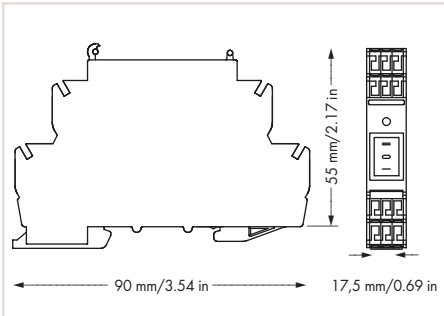
| | | | |
|---|----------|---------|--|
| 5 cards, 10 strips with 10 markers each | S | 209-682 | |
| | 1 ... 10 | 209-702 | |

| Marking | Item No. | Pack. Unit |
|----------|----------|------------|
| S | 209-682 | |
| 1 ... 10 | 209-702 | |

| Marking | Item No. | Pack. Unit |
|----------|----------|------------|
| S | 209-682 | |
| 1 ... 10 | 209-702 | |

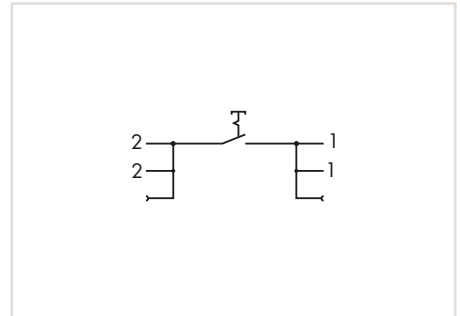
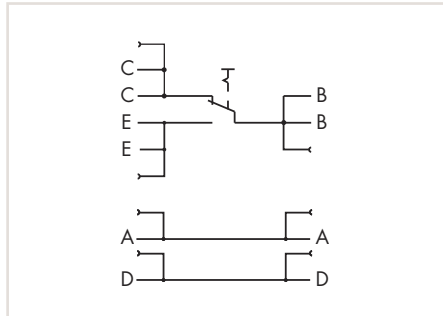
Switching Modules in a DIN-Rail-Mount Enclosure

789 Series



Technical Data

| Contacts | |
|---|--|
| Contact material | Ag alloy |
| Operating voltage | 250 VAC |
| Max. switching power (resistive) | 10 A |
| Peak inrush current | 100 A, capacitive |
| Contact resistance | < 100 mΩ (12 V / 1 ADC, new condition) |
| Insulation resistance | > 100 MΩ (500 VDC, new condition) |
| Contact gap | ≥ 3 mm |
| General Specifications | |
| Dielectric strength, open contact | 1.25 kV _{rms} |
| Nominal voltage | 250 V |
| Rated impulse voltage | 4 kV |
| Pollution degree | 2 |
| Permissible ambient operating temperature at UN | -20 ... +55 °C |
| Storage temperature | -40 ... +80 °C |
| Dimensions (mm) W x H x D | 17.5 x 55 x 90, height from upper-edge of DIN-rail |
| Connection technology | CAGE CLAMP® |
| Conductor range | 0.08 ... 2.5 mm ² / 28 ... 14 AWG |
| Strip length | 9 ... 10 mm / 0.35 ... 0.39 inch |
| Standards/approvals | EN 50178; EN 60664-1; EN 61058-1 |



Switching module,
with changeover rocker switch,
switching voltage: 250 VAC,
switching current: 10 A

| Item No. | Pack. Unit |
|----------|------------|
| 789-800 | 1 |

Switching module,
with off switch,
switching voltage: 250 VAC,
switching current: 16 A

| Item No. | Pack. Unit |
|----------|------------|
| 789-801 | 1 |

Specific Electrical Data

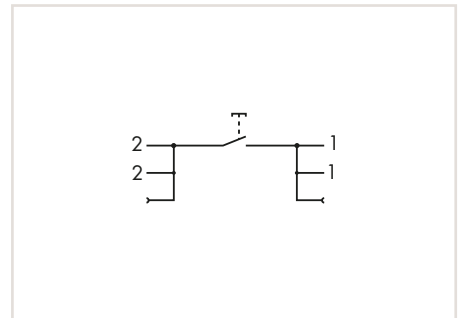
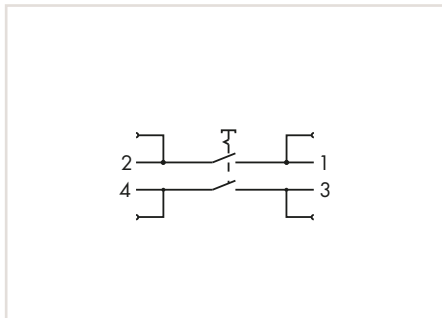
| | |
|----------------------------------|--|
| Max. switching power (resistive) | 10 A |
| Mechanical life | 1 x 10 ⁶ switching operations |
| Electrical life | 1 x 10 ⁴ switching operations |

| | |
|--|--|
| 10 A | 16 A |
| 1 x 10 ⁶ switching operations | 5 x 10 ⁴ switching operations |
| 1 x 10 ⁴ switching operations | 1 x 10 ⁴ switching operations |

| | |
|--|--|
| 16 A | 5 x 10 ⁴ switching operations |
| 5 x 10 ⁴ switching operations | 1 x 10 ⁴ switching operations |

Switching Modules in a DIN-Rail-Mount Enclosure

789 Series



Switching module, with 2-pole off switch, switching voltage: 250 VAC, switching current: 16 A

| | Item No. | Pack. Unit |
|--|----------|------------|
| | 789-802 | 1 |

Switching module, with off button, switching voltage: 250 VAC, switching current: 16 A

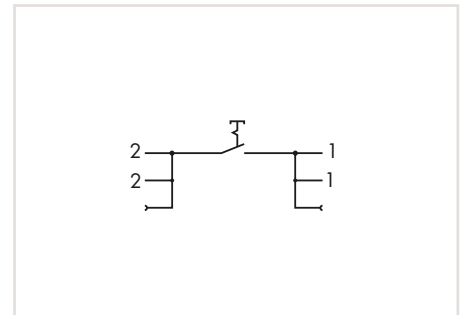
| | Item No. | Pack. Unit |
|--|----------|------------|
| | 789-803 | 1 |

Specific Electrical Data

| | |
|----------------------------------|--|
| Max. switching power (resistive) | 16 A |
| Mechanical life | 5 x 10 ⁴ switching operations |
| Electrical life | 1 x 10 ⁴ switching operations |

| | |
|----------------------------------|--|
| Max. switching power (resistive) | 16 A |
| Mechanical life | 5 x 10 ⁴ switching operations |
| Electrical life | 1 x 10 ⁴ switching operations |

| | |
|----------------------------------|--|
| Max. switching power (resistive) | 16 A |
| Mechanical life | 5 x 10 ⁴ switching operations |
| Electrical life | 1 x 10 ⁴ switching operations |



Switching module,
with off button,
switching voltage: 250 VAC,
switching current: 16 A

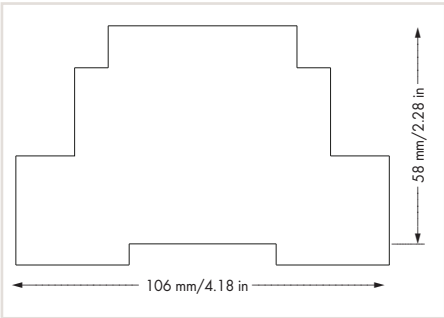
| | Item No. | Pack. Unit |
|--|----------|------------|
| | 789-804 | 1 |

Specific Electrical Data

| | |
|----------------------------------|--|
| Max. switching power (resistive) | 16 A |
| Mechanical life | 5 x 10 ⁴ switching operations |
| Electrical life | 1 x 10 ⁴ switching operations |

Manual Operation Modules in a DIN-Rail Mount Enclosure

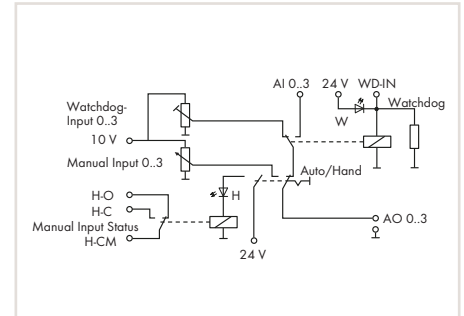
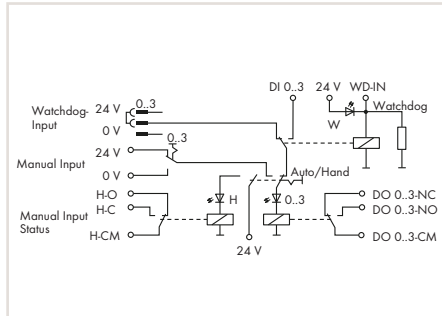
789 Series



The 789-810 Digital Manual Operation Module monitors 0 ... 3 inputs and indicates their status via green LED and power relay's changeover contact. Depending on both the manual/automatic switch and watchdog input, the states 0 or 1 are transmitted (electrically isolated) via relay to the output. The 789-811 Analog Manual Operation Module monitors 0 ... 3 analog inputs. Depending on both the manual/automatic switch and watchdog input, the voltages set between 0 ... 10 V are transmitted to the output.

Technical Data

| | |
|-------------------------------|--|
| Power supply | 24 VDC ±20 % |
| Ambient operating temperature | 0 ... +50 °C |
| Storage temperature | -25 ... +70 °C |
| Dimensions (mm) W x H x D | 106 x 58 x 90, height from upper-edge of DIN-rail |
| Connection technology | CAGE CLAMP® (WAGO 734 and 231 Series) |
| Conductor range | 0.08 ... 1.5 mm ² / 28 ... 14 AWG 0.08 ... 2.5 mm ² / 28 ... 12 AWG |
| Strip length | 7 mm / 0.28 inch 8 ... 9 mm / 0.31 ... 0.35 inch |
| Inputs | |
| No. 1/10 | 24 V power supply |
| No. 2 | GND (ground) |
| No. 11 | WD-IN (watchdog input); 24 V / 20 mA (max.) |
| Outputs | |
| No. 7 | H-C (manual operation "closed") |
| No. 8 | H-CM (manual operation "common") |
| No. 9 | H-O (manual operation "open") |



| | | |
|---|----------|------------|
| Manual operation module, 4 digital outputs | | |
| | Item No. | Pack. Unit |
| | 789-810 | 1 |

| | | |
|--|----------|------------|
| Manual operation module, 4 analog outputs | | |
| | Item No. | Pack. Unit |
| | 789-811 | 1 |

Technical Data

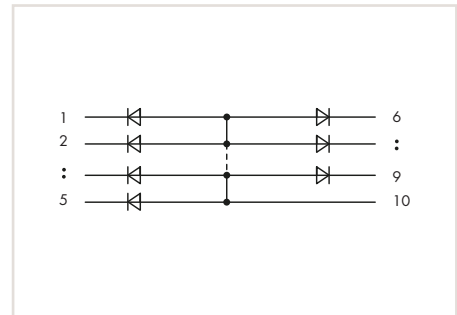
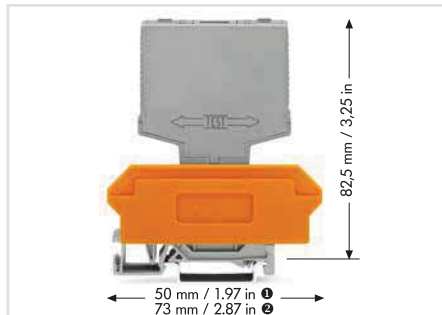
| | |
|--|--|
| Dielectric strength, input/output | 4 kV |
| Inputs | DI-0 ... 3; input 0 ... 3; 24 V / 20 mA (max.) |
| No. 3 ... 6 | |
| Outputs | DO-0 ... 3-NC; break contact; channel 0 ... 3 |
| No. 12/15/18/21 | |
| No. 13/16/19/22 | DO-0 ... 3-CM; common; channel 0 ... 3 |
| No. 14/17/20/23 | DO-0 ... 3-NO; make contact; channel 0 ... 3 |
| Max. switching voltage (channel nos.: 12–23) | 250 VAC / 30 VDC |
| Max. switching current (channel nos. 12–23) | 8 AAC / 8 ADC |

| | |
|--|---|
| No. 3 ... 6 | |
| No. 12/15/18/21 | DO-0 ... 3-NC; break contact; channel 0 ... 3 |
| No. 13/16/19/22 | DO-0 ... 3-CM; common; channel 0 ... 3 |
| No. 14/17/20/23 | DO-0 ... 3-NO; make contact; channel 0 ... 3 |
| Max. switching voltage (channel nos.: 12–23) | 250 VAC / 30 VDC |
| Max. switching current (channel nos. 12–23) | 8 AAC / 8 ADC |

| | |
|--|---|
| No. 3 ... 6 | |
| No. 12/15/18/21 | DO-0 ... 3-NC; break contact; channel 0 ... 3 |
| No. 13/16/19/22 | DO-0 ... 3-CM; common; channel 0 ... 3 |
| No. 14/17/20/23 | DO-0 ... 3-NO; make contact; channel 0 ... 3 |
| Max. switching voltage (channel nos.: 12–23) | 250 VAC / 30 VDC |
| Max. switching current (channel nos. 12–23) | 8 AAC / 8 ADC |

Pluggable Modules – Diode Gates

286 Series



* Max. admissible current per the manufacturer's data sheet. With all diodes loaded, the continuous current must be reduced.

Component module, with 1N4007 diode, with common anode, pluggable on rail-mount terminal block

| Module Width | Diodes | Item No. | Pack. Unit |
|------------------|--------|----------|------------|
| 10 mm/0.394 inch | 3 | 286-803 | 1 |
| 15 mm/0.591 inch | 5 | 286-805 | 1 |
| 20 mm/0.787 inch | 7 | 286-807 | 1 |
| 25 mm/0.984 inch | 9 | 286-809 | 1 |

Technical Data

| | |
|--|----------------|
| Operating voltage | 250 VAC/DC |
| Peak reverse voltage, periodic | 1000 V |
| Rectified current for each diode, resistive* | 1 A |
| Nominal voltage | 250 V |
| Rated impulse voltage | 4 kV |
| Pollution degree | 2 |
| Ambient operating temperature | -25 ... +40 °C |

Accessories (Selection)

WSB marker card

| Marking | Item No. | Pack. Unit |
|----------|----------|------------|
| V | 209-784 | 5 |
| 1 ... 10 | 209-702 | 5 |
| +/- | 209-652 | 5 |

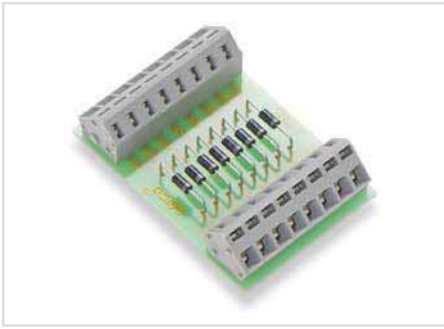
Terminal Block for Pluggable Modules

| | Width | Item No. | Pack. Unit |
|--|-------|----------|------------|
| with 2-conductor terminal blocks, orange separator ① | 12 mm | 280-618 | 1 |
| with 4-conductor terminal blocks, orange separator ② | 12 mm | 280-608 | 1 |
| with 4-conductor terminal blocks, marking plate ② | 15 mm | 280-762 | 1 |
| with 2-conductor terminal blocks, orange separator ① | 17 mm | 280-619 | 1 |
| with 4-conductor terminal blocks, orange separator ② | 17 mm | 280-609 | 1 |
| with 4-conductor terminal blocks, marking plate ② | 20 mm | 280-763 | 1 |
| with 2-conductor terminal blocks, orange separator ① | 22 mm | 280-638 | 1 |
| with 4-conductor terminal blocks, orange separator ② | 22 mm | 280-628 | 1 |
| with 4-conductor terminal blocks, marking plate ② | 25 mm | 280-764 | 1 |
| with 2-conductor terminal blocks, orange separator ① | 27 mm | 280-639 | 1 |
| with 4-conductor terminal blocks, orange separator ② | 27 mm | 280-629 | 1 |
| with 4-conductor terminal blocks, marking plate ② | 30 mm | 280-765 | 1 |

Conductor range: 0.08 ... 2.5 mm² / 28 ... 14 AWG
Strip length: 8 ... 9 mm / 0.31 ... 0.35 inch

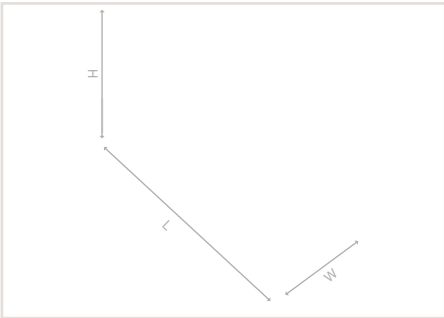
DIN-Rail-Mount Modules – Diode Gates

289 Series



Technical Data

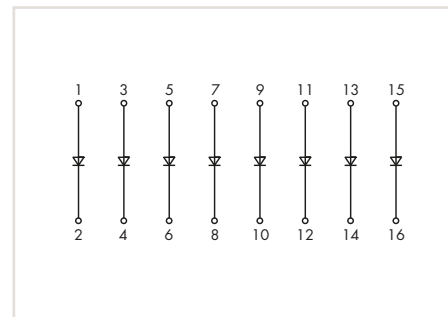
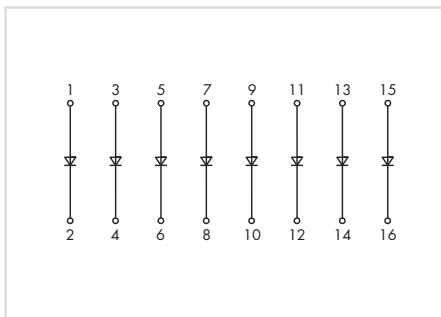
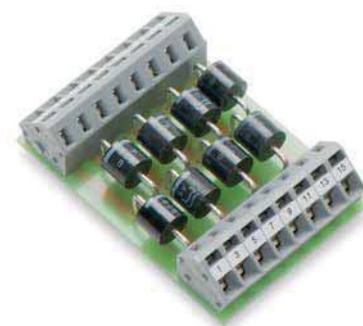
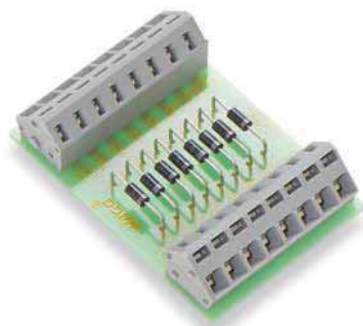
| | |
|-----------------------|--|
| Nominal voltage | 250 V |
| Rated impulse voltage | 4 kV |
| Pollution degree | 2 |
| Protection type | IP00 |
| Connection technology | CAGE CLAMP® (WAGO 236 Series) |
| Conductor range | 0.08 ... 2.5 mm ² / 28 ... 12 AWG |
| Strip length | 5 ... 6 mm / 0.2 ... 0.24 inch |



Notice:

Live parts are likely to be touched! Protection against direct contact must be provided by the equipment manufacturer, e.g., using a 709 Series WAGO Cover (see Accessories) or a similar cover. The installation regulations must be observed for each individual application.

* Max. admissible current per the manufacturer's data sheet. With all diodes loaded, the continuous current must be reduced.



* Max. admissible current per the manufacturer's data sheet. With all diodes loaded, the continuous current must be reduced.

| Component module, with 8 1N4007 diodes | | |
|--|----------|------------|
| | Item No. | Pack. Unit |
| | 289-101 | 1 |

| Component module, with 8 P600B diodes | | |
|---------------------------------------|----------|------------|
| | Item No. | Pack. Unit |
| | 289-103 | 1 |

Specific Technical Data

| | |
|--|--|
| Operating voltage | 250 VAC/DC |
| Peak reverse voltage, periodic | 1000 V |
| Rectified current for each diode, resistive* | 1 A |
| Reverse current per diode | 50 µA |
| Forward voltage per diode | 1.1 V |
| Forward current per diode (resistive) | 1 A |
| Ambient operating temperature | -25 ... +40 °C |
| Dimensions incl. mounting carrier and universal mounting feet (mm) W x H x D | 47 x 31.5 x 65.5, height from upper-edge of DIN-rail |

| | |
|--|--|
| Operating voltage | 100 VAC/DC |
| Peak reverse voltage, periodic | 100 V |
| Rectified current for each diode, resistive* | 6 A |
| Reverse current per diode | 5 µA |
| Forward voltage per diode | 1 V |
| Forward current per diode (resistive) | 6 A |
| Ambient operating temperature | -25 ... +30 °C |
| Dimensions incl. mounting carrier and universal mounting feet (mm) W x H x D | 47 x 31.5 x 65.5, height from upper-edge of DIN-rail |

| | |
|--|--|
| Operating voltage | 100 VAC/DC |
| Peak reverse voltage, periodic | 100 V |
| Rectified current for each diode, resistive* | 6 A |
| Reverse current per diode | 5 µA |
| Forward voltage per diode | 1 V |
| Forward current per diode (resistive) | 6 A |
| Ambient operating temperature | -25 ... +30 °C |
| Dimensions incl. mounting carrier and universal mounting feet (mm) W x H x D | 47 x 31.5 x 65.5, height from upper-edge of DIN-rail |

Accessories

| | Color | Item No. | Pack. Unit |
|--|-------|----------|------------|
| Mounting carrier, for screw or DIN-rail mounting (with universal snap-on type mounting feet), to be ordered separately | white | 288-001 | 1 |
| Universal mounting foot, snap-on type; suitable for DIN-15, DIN-32 and DIN-35 rails | | 288-002 | 10 |
| Cover carrier, type 1 (57.5 x 128 mm) | | 709-167 | 10 |
| Cover, transparent, type 1, 1 m long | | 709-153 | 10 |

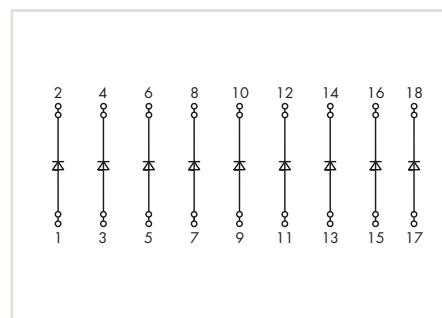
| | Color | Item No. | Pack. Unit |
|--|-------|----------|------------|
| Mounting carrier, for screw or DIN-rail mounting (with universal snap-on type mounting feet), to be ordered separately | white | 288-001 | 1 |
| Universal mounting foot, snap-on type; suitable for DIN-15, DIN-32 and DIN-35 rails | | 288-002 | 10 |
| Cover carrier, type 1 (57.5 x 128 mm) | | 709-167 | 10 |
| Cover, transparent, type 1, 1 m long | | 709-153 | 10 |

| | Color | Item No. | Pack. Unit |
|--|-------|----------|------------|
| Mounting carrier, for screw or DIN-rail mounting (with universal snap-on type mounting feet), to be ordered separately | white | 288-001 | 1 |
| Universal mounting foot, snap-on type; suitable for DIN-15, DIN-32 and DIN-35 rails | | 288-002 | 10 |
| Cover carrier, type 1 (57.5 x 128 mm) | | 709-167 | 10 |
| Cover, transparent, type 1, 1 m long | | 709-153 | 10 |

**CR = Carrier rail

DIN-Rail-Mount Modules – Diode Gates

289 Series



* Max. admissible current per the manufacturer's data sheet. With all diodes loaded, the continuous current must be reduced.

Component module,
with 9 1N5408 diodes

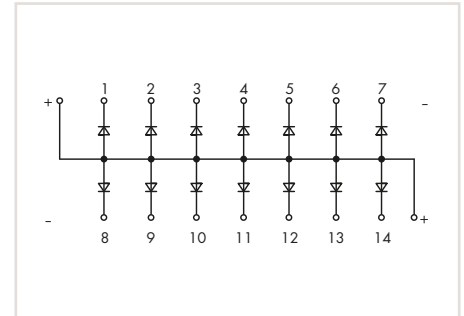
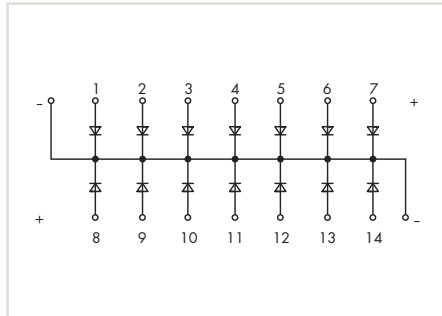
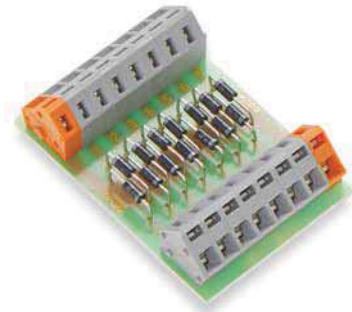
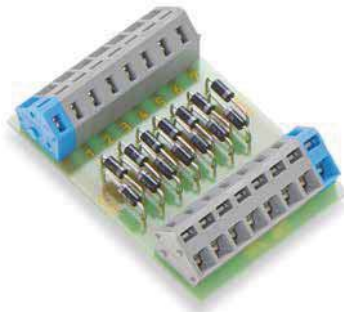
| Item No. | Pack. Unit |
|----------|------------|
| 289-105 | 1 |

Specific Technical Data

| | |
|--|--|
| Operating voltage | 250 VAC/DC |
| Peak reverse voltage, periodic | 1000 V |
| Rectified current for each diode, resistive* | 3 A |
| Reverse current per diode | 10 μ A |
| Forward voltage per diode | 1.3 V |
| Forward current per diode (resistive) | 3 A |
| Ambient operating temperature | -25 ... +40 °C |
| Dimensions incl. mounting carrier and universal mounting feet (mm) W x H x D | 51 x 48 x 85, height from upper-edge of DIN-rail |

Accessories

| | Color | Item No. | Pack. Unit |
|---------------------------------------|-------|----------|------------|
| Marking strip, for mounting carrier | white | 709-198 | 1 |
| Cover carrier, type 1 (57.5 x 128 mm) | | 709-167 | 10 |
| Cover, transparent, type 1, 1 m long | | 709-153 | 10 |



* Max. admissible current per the manufacturer's data sheet. With all diodes loaded, the continuous current must be reduced.

Component module, with 14 1N4007 diodes, with common cathode

| Item No. | Pack. Unit |
|----------|------------|
| 289-111 | 1 |

Component module, with 14 1N4007 diodes, with common anode

| Item No. | Pack. Unit |
|----------|------------|
| 289-121 | 1 |

Specific Technical Data

| | |
|--|--|
| Operating voltage | 250 VAC/DC |
| Peak reverse voltage, periodic | 1000 V |
| Rectified current for each diode, resistive* | 1 A |
| Reverse current per diode | 50 µA |
| Forward voltage per diode | 1.1 V |
| Forward current per diode (resistive) | 1 A |
| Ambient operating temperature | -25 ... +40 °C |
| Dimensions incl. mounting carrier and universal mounting feet (mm) W x H x D | 45.5 x 32 x 65.5, height from upper-edge of DIN-rail |

| | |
|--|--|
| Operating voltage | 250 VAC/DC |
| Peak reverse voltage, periodic | 1000 V |
| Rectified current for each diode, resistive* | 1 A |
| Reverse current per diode | 50 µA |
| Forward voltage per diode | 1.1 V |
| Forward current per diode (resistive) | 1 A |
| Ambient operating temperature | -25 ... +40 °C |
| Dimensions incl. mounting carrier and universal mounting feet (mm) W x H x D | 45.5 x 32 x 65.5, height from upper-edge of DIN-rail |

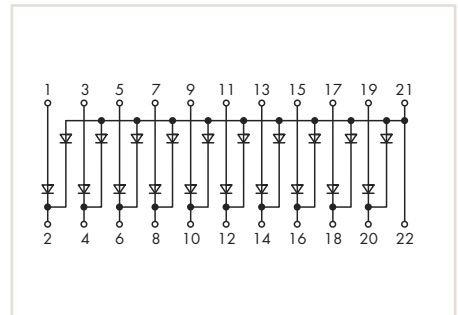
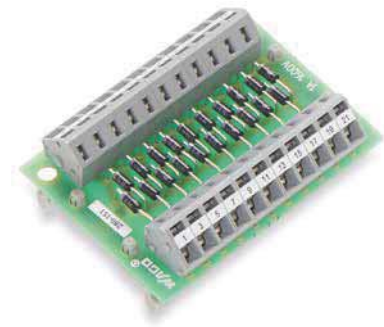
Accessories

| | Color | Item No. | Pack. Unit | Color | Item No. | Pack. Unit |
|--|-------|----------|------------|-------|----------|------------|
| Mounting carrier, for screw or DIN-rail mounting (with universal snap-on type mounting feet), to be ordered separately | white | 288-001 | 1 | white | 288-001 | 1 |
| Universal mounting foot, snap-on type; suitable for DIN-15, DIN-32 and DIN-35 rails | | 288-002 | 10 | | 288-002 | 10 |
| Cover carrier, type 1 (57.5 x 128 mm) | | 709-167 | 10 | | 709-167 | 10 |
| Cover, transparent, type 1, 1 m long | | 709-153 | 10 | | 709-153 | 10 |

**CR = Carrier rail

DIN-Rail-Mount Modules – Diode Gates

289 Series



* Max. admissible current per the manufacturer's data sheet. With all diodes loaded, the continuous current must be reduced.

Component module,
with 20 EM 513 diodes

| Item No. | Pack. Unit |
|----------|------------|
| 289-151 | 1 |

Technical Data

| | |
|---|--|
| Operating voltage | 250 VAC/DC |
| Peak reverse voltage, periodic | 1600 V |
| Rectified current for each diode, resistive* | 1 A |
| Reverse current per diode | < 50 μ A |
| Forward voltage per diode | 1.1 V |
| Forward current per diode (resistive) | 1 A |
| Ambient operating temperature | -25 ... +40 °C |
| Dimensions incl. mounting carrier and feet (mm) W x H x D | 69 x 21 x 50, height from upper-edge of DIN-rail |

Accessories

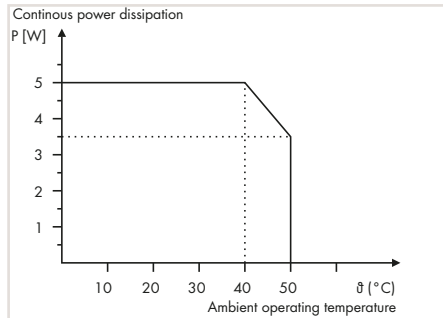
| Color | Item No. | Pack. Unit |
|-------|----------|------------|
| white | 709-198 | 1 |
| | 709-167 | 10 |
| | 709-153 | 10 |

DIN-Rail-Mount Modules – Resistors

289 Series



Picture of 289-128/003-000



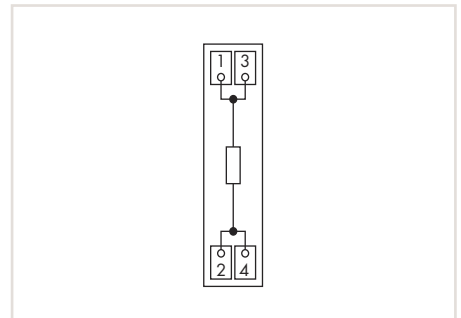
Derating

***Notice:**

Live parts are likely to be touched! Protection against direct contact must be provided by the equipment manufacturer, e.g., using a 709 Series WAGO Cover (see Accessories) or a similar cover. The installation regulations must be observed for each individual application.

Depending on operating conditions, the components' temperature may exceed the limit temperature for accessible parts.

For other resistors, please contact factory!



Component module, with 1 resistor, 5 Watt, in mounting carrier

| Resistor | Item No. | Pack. Unit |
|----------|-----------------|------------|
| 100R | 289-128/005-000 | 1 |
| 270R | 289-128/006-000 | 1 |
| 2K4 | 289-128/001-000 | 1 |
| 4K7 | 289-128/002-000 | 1 |
| 6K8 | 289-128/003-000 | 1 |
| 9K1 | 289-128 | 1 |

Technical Data

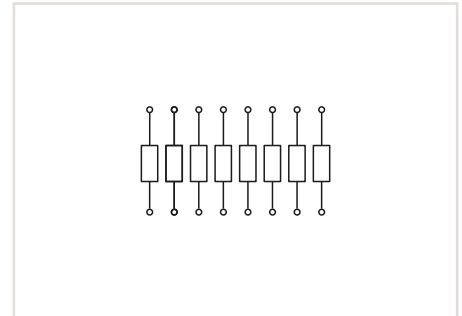
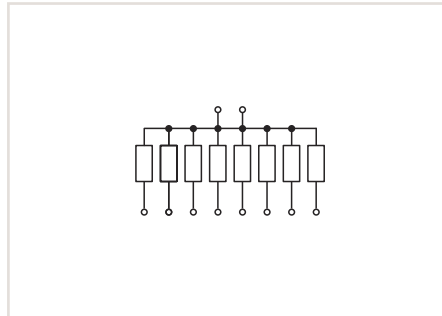
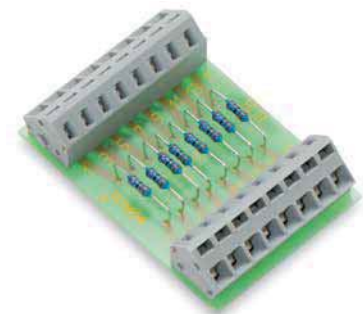
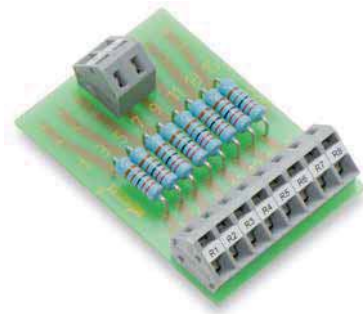
| | |
|--|---|
| Temperature coefficient | 50 ppm |
| Tolerance | ±10 % |
| Capacity | 5 W |
| Protection type | IP00* |
| Ambient operating temperature | -20 ... +50 °C (Derating must be observed) |
| Storage temperature | -40 ... +70 °C |
| Dimensions (mm) W x H x D incl. mounting carrier or feet | 13 x 34 x 85, height from upper-edge of DIN-rail |
| Connection technology | CAGE CLAMP® (WAGO 236 Series) |
| Conductor range | 0.08 ... 2.5 mm ² / 28 ... 12 AWG (12 AWG: THHN, THWN) |
| Strip length | 5 ... 6 mm / 0.2 ... 0.24 inch |

Accessories

| Color | Item No. | Pack. Unit |
|---------------------------------------|----------|------------|
| Cover carrier, type 1 (57.5 x 128 mm) | 709-167 | 10 |
| Cover, transparent, type 1, 1 m long | 709-153 | 10 |

DIN-Rail-Mount Modules – Resistors

289 Series



* Max. admissible capacity of a single resistor. With all resistors loaded, the max. admissible power dissipation must be reduced.

For other resistors, please contact factory!

Component module, with 8 2K2 resistors, 1 Watt, commoned

| Item No. | Pack. Unit |
|----------|------------|
| 289-113 | 1 |

Component module, with 8 2K7 resistors, 0.6 Watt

| Item No. | Pack. Unit |
|----------|------------|
| 289-114 | 1 |

Technical Data

| | |
|--|--|
| Operating voltage | 40 VAC/DC |
| Resistor type | DIN 0414 |
| Temperature coefficient | 50 ppm |
| Tolerance | ±1 % |
| Capacity* | 1 W |
| Ambient operating temperature | -25 ... +40 °C |
| Dimensions incl. mounting carrier and universal mounting feet (mm) W x H x D | 45.5 x 32 x 65.5, height from upper-edge of DIN-rail |
| Connection technology | CAGE CLAMP® (WAGO 236 Series) |
| Conductor range | 0.08 ... 2.5 mm² / 28 ... 12 AWG |
| Strip length | 5 ... 6 mm / 0.2 ... 0.24 inch |

| | |
|--|--|
| Operating voltage | 40 VAC/DC |
| Resistor type | DIN 0207 |
| Temperature coefficient | 50 ppm |
| Tolerance | ±1 % |
| Capacity* | 0,6 W |
| Ambient operating temperature | -25 ... +40 °C |
| Dimensions incl. mounting carrier and universal mounting feet (mm) W x H x D | 45.5 x 32 x 65.5, height from upper-edge of DIN-rail |
| Connection technology | CAGE CLAMP® (WAGO 236 Series) |
| Conductor range | 0.08 ... 2.5 mm² / 28 ... 12 AWG |
| Strip length | 5 ... 6 mm / 0.2 ... 0.24 inch |

Accessories (Selection)

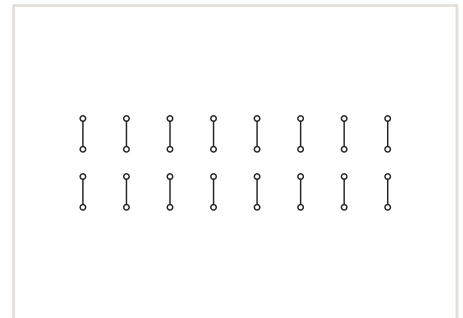
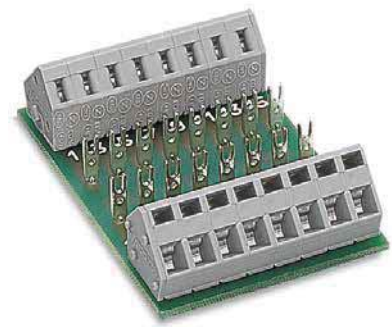
| Color | Item No. | Pack. Unit |
|--|---------------|------------|
| Mounting carrier, for screw or DIN-rail mounting (with universal snap-on type mounting feet), to be ordered separately | white 288-001 | 1 |
| Universal mounting foot, snap-on type; suitable for DIN-15, DIN-32 and DIN-35 rails | 288-002 | 10 |

| Color | Item No. | Pack. Unit |
|--|---------------|------------|
| Mounting carrier, for screw or DIN-rail mounting (with universal snap-on type mounting feet), to be ordered separately | white 288-001 | 1 |
| Universal mounting foot, snap-on type; suitable for DIN-15, DIN-32 and DIN-35 rails | 288-002 | 10 |

**CR = Carrier rail

DIN-Rail-Mount Modules for Building Custom Circuits

289 Series

***Notice:**

Live parts are likely to be touched! Protection against direct contact must be provided by the equipment manufacturer, e.g., using a 709 Series WAGO Cover (see Accessories) or a similar cover. The installation regulations must be observed for each individual application.

PCB, for building custom circuits,
with 8 assembly slots

| | Item No. | Pack. Unit |
|------------------|----------|------------|
| | 289-102 | 1 |
| with solder pins | 289-131 | 1 |

Technical Data

| | |
|--|--|
| Operating voltage | 250 VAC/DC |
| Nominal current | 3 A |
| Protection type | IP00* |
| Ambient operating temperature | -25 ... +40 °C |
| Dimensions incl. mounting carrier and universal mounting feet (mm) W x H x D | 45.5 x 32 x 62.5, height from upper-edge of DIN-rail |
| Connection technology | CAGE CLAMP® (WAGO 236 Series) |
| Conductor range | 0.08 ... 2.5 mm ² / 28 ... 12 AWG |
| Strip length | 5 ... 6 mm / 0.2 ... 0.24 inch |

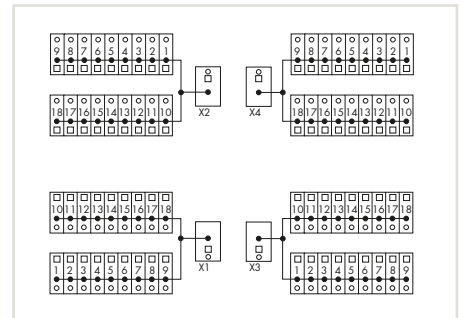
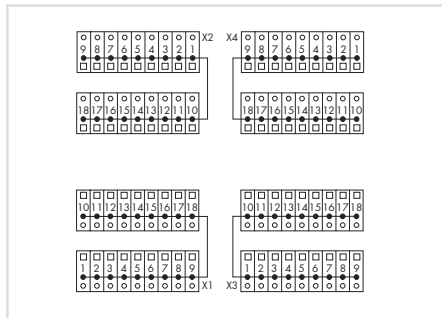
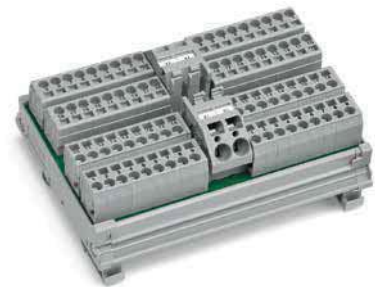
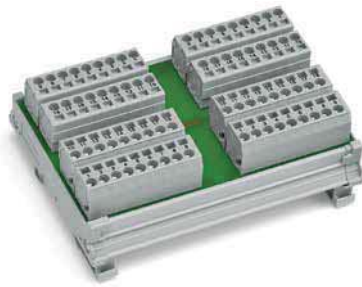
Accessories

| | Color | Item No. | Pack. Unit |
|--|-------|----------|------------|
| Mounting carrier, for screw or DIN-rail mounting (with universal snap-on type mounting feet), to be ordered separately | white | 288-001 | 1 |
| Universal mounting foot, snap-on type; suitable for DIN-15, DIN-32 and DIN-35 rails | | 288-002 | 10 |
| Cover carrier, type 1 (57.5 x 128 mm) | | 709-167 | 10 |
| Cover, transparent, type 1, 1 mm long | | 709-153 | 10 |

**CR = Carrier rail

DIN-Rail Mount Modules – Potential Multiplication

288 Series



| | | |
|---|-----------------|-------------------|
| Potential multiplication module, 4 potentials, with each 18 connection points | | |
| | Item No. | Pack. Unit |
| | 288-825 | 1 |

| | | |
|---|-----------------|-------------------|
| Potential multiplication module, 4 potentials, with each 19 connection points | | |
| | Item No. | Pack. Unit |
| | 288-837 | 1 |

Technical Data

| | |
|--|---|
| Max. operating voltage per potential | 250 VAC/DC |
| Max. total current per potential | 12 A |
| Max. current per connection | 12 A |
| Nominal voltage | 250 V |
| Rated impulse voltage | 4 kV |
| Pollution degree | 2 |
| Ambient operating temperature | -20 ... +50 °C |
| Storage temperature | -40 ... +80 °C |
| Dimensions (mm) W x H x D incl. mounting carrier or feet | 85 x 45 x 115, height from upper-edge of DIN-rail |
| Connection technology | CAGE CLAMP® (WAGO 739 Series) |
| Conductor range | 0.08 ... 2.5 mm ² / 28 ... 12 AWG (12 AWG: THHN, THWN) |
| Strip length | 8 ... 9 mm / 0.31 ... 0.35 inch |

| | |
|--|---|
| Max. operating voltage per potential | 250 VAC/DC |
| Max. total current per potential | 32 A |
| Max. current per connection | 12 A |
| Nominal voltage | 250 V |
| Rated impulse voltage | 4 kV |
| Pollution degree | 2 |
| Ambient operating temperature | -20 ... +50 °C |
| Storage temperature | -40 ... +80 °C |
| Dimensions (mm) W x H x D incl. mounting carrier or feet | 85 x 45 x 115, height from upper-edge of DIN-rail |
| Connection technology | Power supply: CAGE CLAMP® (WAGO 745 Series) Connection points: CAGE CLAMP® (WAGO 739 Series) |
| Conductor range | Power supply: 0.2 ... 6 mm ² / 24 ... 10 AWG Connection points: 0.08 ... 2.5 mm ² / 28 ... 12 AWG (12 AWG: THHN, THWN) |
| Strip length | Power supply: 11 ... 12 mm / 0.43 ... 0.47 inch Connection points: 8 ... 9 mm / 0.31 ... 0.35 inch |

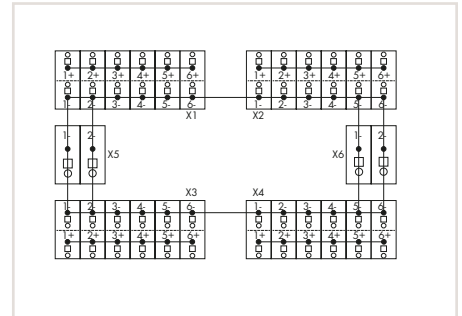
Accessories (Selection)

| | | |
|------------------------------|-----------------|-------------------|
| | Item No. | Pack. Unit |
| Comb-style jumper bar, 2-way | 745-382 | 250 |

| | | |
|------------------------------|-----------------|-------------------|
| | Item No. | Pack. Unit |
| Comb-style jumper bar, 2-way | 745-382 | 250 |



- May be used with electronic circuit breakers for 24 and 0 VDC power distribution, as a substitute for rail-mount terminal blocks
- Four potential groups for four output circuits
- Six connection points per potential group for positive and negative potentials
- On-unit commoned negative potential with commoning option to adjacent modules via 745-682 comb-style jumper bar
- Marker carrier is available



Potential multiplication module,
4 potentials,
with each 6 connection points

| Item No. | Pack. Unit |
|----------|------------|
| 288-867 | 1 |

Technical Data

| | |
|--|---|
| Operating voltage | 24 VDC |
| Number of potentials | 4 |
| Max. total current per potential | 10 A |
| Max. current per connection | 10 A |
| Max. total current (0 V) | 40 A |
| Nominal voltage | 50 V |
| Rated impulse voltage | 0.8 kV |
| Pollution degree | 2 |
| Ambient operating temperature | -20 ... +50 °C |
| Storage temperature | -40 ... +70 °C |
| Dimensions incl. mounting carrier and universal mounting feet (mm) W x H x D | 70 x 50 x 105, height from upper-edge of DIN-rail |
| Mounting type | DIN-rail mount (EN 60715) |
| Connection technology | Connection points: CAGE CLAMP® (WAGO 736Series) Negative potential: CAGE CLAMP® (WAGO 745 Series) |
| Conductor range | Connection points: 0.08 ... 2.5 mm ² / 28 ... 12 AWG (12 AWG: THHN, THWN) Negative potential: 0.2 ... 16 mm ² / 24 ... 6 AWG |
| Strip length | Connection points: 5 ... 6 mm / 0.2 ... 0.24 inch Negative potential: 12 ... 13 mm / 0.47 ... 0.51 inch |

Accessories (Selection)

| Item No. | Pack. Unit |
|----------|------------|
| 745-682 | 250 |

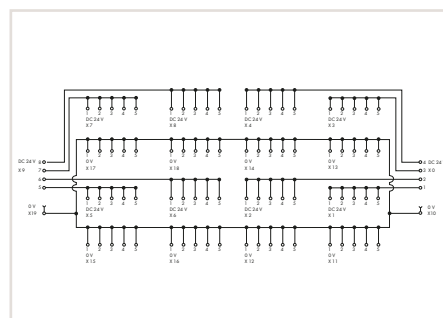
Comb-style jumper bar, 2-way

DIN-Rail Mount Modules – Potential Multiplication

288 Series



- May be used with electronic circuit breakers for 24 and 0 VDC power distribution, as a substitute for rail-mount terminal blocks
- Pluggable *picoMAX*® Female Headers enable pre-wiring and electrically isolate current paths
- Optional coding pins (2092-1610) protect against any inadvertent mixing of female headers
- Optional gripping plates with sliding connector release (2092-1601/002-000 or 2092-1602/002-000) provide conductor strain relief
- Optional 0 V power supply commoning to adjacent modules via 745-682 Comb-Style Jumper Bar (derating with jumper bar: -1 A / K > 60 °C ambient operating temperature)



Potential multiplication module,
8 potentials,
with each 6 connection points,
with 42 ground connection points

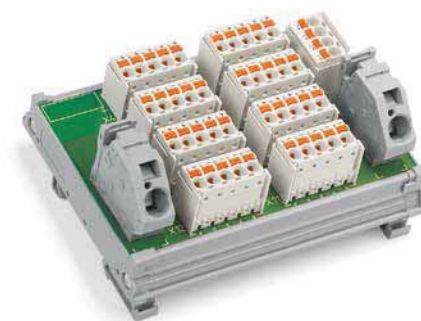
| | Item No. | Pack. Unit |
|--|-----------------|------------|
| | 288-870/000-040 | 1 |

Technical Data

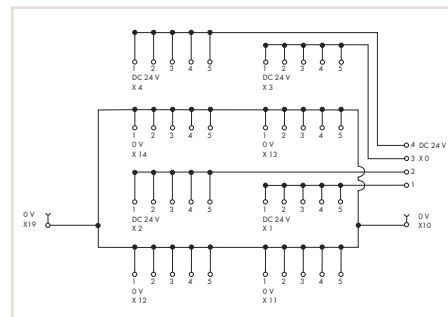
| | |
|--|---|
| Max. operating voltage per potential | 24 VDC |
| Number of potentials | 8 |
| Max. total current per potential | 10 A |
| Max. current per connection | 10 A |
| Max. total current (0 V) | 76 A |
| Ambient operating temperature | -25 ... +70 °C (no condensation) |
| Storage temperature | -40 ... +85 °C |
| Dimensions incl. mounting carrier and universal mounting feet (mm) W x H x D | 85 x 49 x 154, height from upper-edge of DIN-rail |
| Mounting type | DIN-rail mount (EN 60715) |
| Connection technology | Power supply (0 V): CAGE CLAMP® (WAGO 745 Series) Power supply (24 V), connection points: Push-in CAGE CLAMP® (<i>picoMAX</i> ® 5.0, WAGO 2092 Series) |
| Conductor range | Power supply (0 V): 0.2 ... 16 mm ² / 24 ... 6 AWG Power supply (24 V), connection points: 0.2 ... 2.5 mm ² / 24 ... 12 AWG (12 AWG: THHN, THWN) |
| Strip length | Power supply (0 V): 12 ... 13 mm / 0.47 ... 0.51 inch Power supply (24 V), connection points: 9 ... 10 mm / 0.35 ... 0.39 inch |
| Mating direction | Power supply (0 V): 45° Power supply (24 V), connection points: vertical |

Accessories (Selection)

| | Item No. | Pack. Unit |
|--|-------------------|------------|
| Comb-style jumper bar, 2-way | 745-682 | 400 |
| Coding pin carrier | 2092-1610 | 100 |
| Gripping plate, with sliding connector release, 3- to 4-pole | 2092-1601/002-000 | 100 |
| Gripping plate, with sliding connector release, 5- to 8-pole | 2092-1602/002-000 | 100 |



- May be used with electronic circuit breakers for 24 and 0 VDC power distribution, as a substitute for rail-mount terminal blocks
- Pluggable *picoMAX*® Female Headers enable pre-wiring and electrically isolate current paths
- Optional coding pins (2092-1610) protect against any inadvertent mixing of female headers
- Optional gripping plates with sliding connector release (2092-1601/002-000 or 2092-1602/002-000) provide conductor strain relief
- Optional 0 V power supply commoning to adjacent modules via 745-682 Comb-Style Jumper Bar



Potential multiplication module,
4 potentials,
with each 6 connection points,
with 22 ground connection points

| | Item No. | Pack. Unit |
|--|-----------------|------------|
| | 288-870/000-030 | 1 |

Technical Data

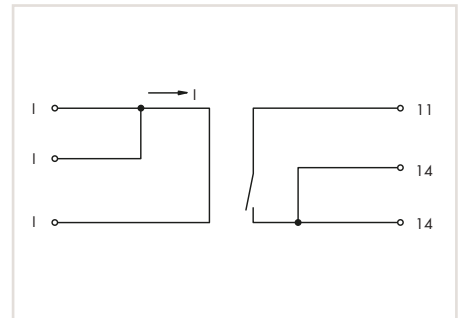
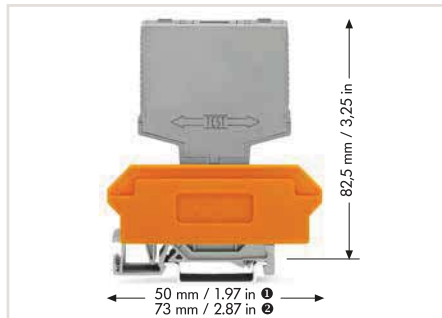
| | |
|--|---|
| Max. operating voltage per potential | 24 VDC |
| Number of potentials | 4 |
| Max. total current per potential | 10 A |
| Max. current per connection | 10 A |
| Max. total current (0 V) | 40 A |
| Ambient operating temperature | -25 ... +70 °C (no condensation) |
| Storage temperature | -40 ... +85 °C |
| Dimensions incl. mounting carrier and universal mounting feet (mm) W x H x D | 85 x 49 x 100, height from upper-edge of DIN-rail |
| Mounting type | DIN-rail mount (EN 60715) |
| Connection technology | Power supply (0 V): CAGE CLAMP® (WAGO 745 Series) Power supply (24 V), connection points: Push-in CAGE CLAMP® (<i>picoMAX</i> ® 5.0, WAGO 2092 Series) |
| Conductor range | Power supply (0 V): 0.2 ... 16 mm ² / 24 ... 6 AWG Power supply (24 V), connection points: 0.2 ... 2.5 mm ² / 24 ... 12 AWG (12 AWG: THHN, THWN) |
| Strip length | Power supply (0 V): 12 ... 13 mm / 0.47 ... 0.51 inch Power supply (24 V), connection points: 9 ... 10 mm / 0.35 ... 0.39 inch |
| Mating direction | Power supply (0 V): 45° Power supply (24 V), connection points: vertical |

Accessories (Selection)

| | Item No. | Pack. Unit |
|--|-------------------|------------|
| Comb-style jumper bar, 2-way | 745-682 | 400 |
| Coding pin carrier | 2092-1610 | 100 |
| Gripping plate, with sliding connector release, 3- to 4-pole | 2092-1601/002-000 | 100 |
| Gripping plate, with sliding connector release, 5- to 8-pole | 2092-1602/002-000 | 100 |

Pluggable Modules – Current Flow Monitoring

286 Series



DC current flow monitoring module,
0.4 ... 3.5 A,
1 make contact (1 a),
module width: 15 mm / 0.591 inch

| | Item No. | Pack. Unit |
|--|----------|------------|
| | 286-662 | 1 |

Technical Data

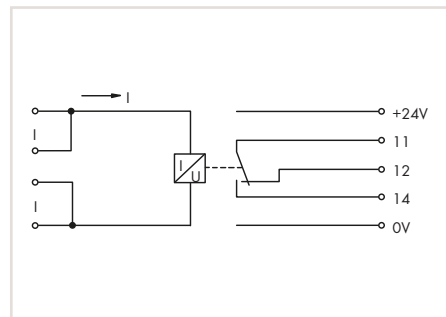
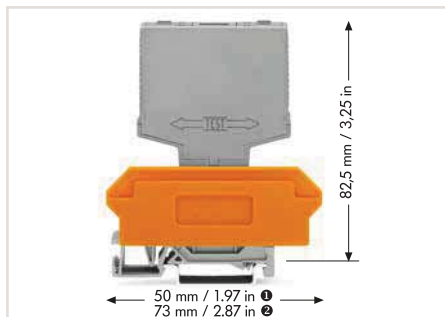
| | |
|---------------------------------------|--|
| Current monitoring range | 0.4 ... 3.5 ADC (-20 ... +40 °C); 0.4 ... 3 ADC (-20 ... +60 °C); 0.4 ... 2 ADC (-20 ... +70 °C) |
| Voltage range | 12 ... 28 VDC |
| Nominal power consumption (min./max.) | 45 mW / 630 mW |
| Turn on/off point | 0.35 A / 0.07 A |
| Voltage drop | 24 ... 210 mV |
| Reaction time | 0.5 ms |
| Output | 1 make contact |
| Switching current | 0.5 A |
| Switching voltage | 200 VDC |
| Switching power | 10 W (max.) |
| Dielectric strength, input/output | 1.5 kV |
| Ambient operating temperature | -25 ... +40 °C |

Accessories (Selection)

| WSB marker card | Marking | Item No. | Pack. Unit |
|---|--|----------|------------|
| 5 cards, 10 strips with 10 markers each | U | 209-789 | 5 |
| | 1 ... 10 | 209-702 | 5 |
| | Lin, Lin, Lout, 11, 14, 14, Lin, Lin, Lout | 249-654 | 5 |
| | Lin, Lin, Lout, Lout, 24V, 11, 12, 14, 0V | 209-997 | 5 |

| Terminal Block for Pluggable Modules | Width | Item No. | Pack. Unit |
|--|-------|----------|------------|
| with 2-conductor terminal blocks, orange separator ① | 17 mm | 280-619 | 1 |
| with 4-conductor terminal blocks, orange separator ② | 17 mm | 280-609 | 1 |
| with 4-conductor terminal blocks, marking plate ② | 20 mm | 280-763 | 1 |

Conductor range: 0.08 ... 2.5 mm² / 28 ... 14 AWG
Strip length: 8 ... 9 mm / 0.31 ... 0.35 inch



AC current flow monitoring module,
1 ... 10 A, adjustable,
1 changeover contact (1 u),
module width: 25 mm/0.984 inch

| | Item No. | Pack. Unit |
|--|----------|------------|
| | 286-665 | 1 |

Technical Data

| | |
|---------------------------------------|--|
| Current monitoring range | 1 ... 10 AAC |
| Nominal power consumption (min./max.) | 23 mVA / 8.5 VA |
| Switching threshold | Min. 1 A (adjustable) |
| Voltage drop | 23 ... 850 mV |
| Reaction time | 200 ms |
| Output | 1 changeover contact |
| Operating voltage | 24 VDC |
| Power consumption | 28 mA |
| Switching current | 5 A |
| Switching voltage | 250 VAC |
| Switching power | 1250 VA |
| Dielectric strength, input/output | 1.5 kV |
| Nominal voltage | 250 V |
| Rated impulse voltage | 2.5 kV |
| Pollution degree | 2 |
| Ambient operating temperature | -25 ... +40 °C |
| Storage temperature | -40 ... +70 °C |
| Indication | Current < switching threshold (red LED), energized relay |

Accessories (Selection)

| WSB marker card | Marking | Item No. | Pack. Unit |
|---|--|----------|------------|
| 5 cards, 10 strips with 10 markers each | U | 209-789 | 5 |
| | 1 ... 10 | 209-702 | 5 |
| | Lin, Lin, Lout, 11, 14, 14, Lin, Lin, Lout | 249-654 | 5 |
| | Lin, Lin, Lout, Lout, 24V, 11, 12, 14, 0V | 209-997 | 5 |

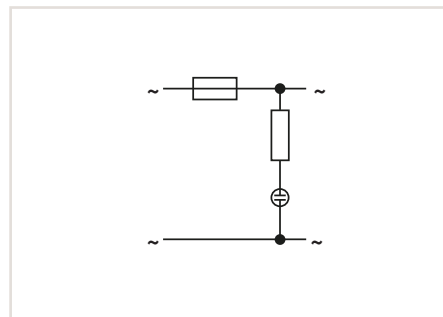
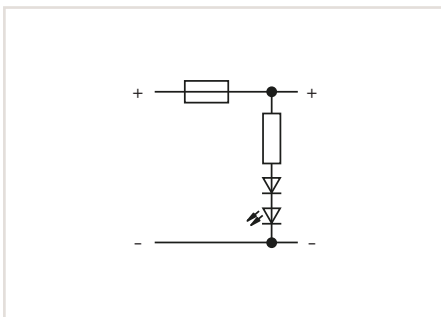
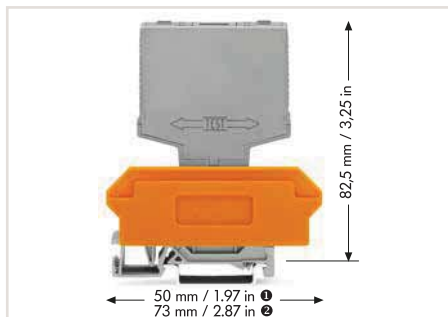
Terminal Block for Pluggable Modules

| | Width | Item No. | Pack. Unit |
|--|-------|----------|------------|
| with 2-conductor terminal blocks, orange separator ① | 27 mm | 280-639 | 1 |
| with 4-conductor terminal blocks, orange separator ② | 27 mm | 280-629 | 1 |
| with 4-conductor terminal blocks, marking plate ② | 30 mm | 280-765 | 1 |

Conductor range: 0.08 ... 2.5 mm² / 28 ... 14 AWG
Strip length: 8 ... 9 mm / 0.31 ... 0.35 inch

Pluggable Modules – Fuses

286 Series



Component module, with fuse, for (5 x 20) mm microfuse, nominal voltage: 24 VAC/DC, green LED

| Item No. | Pack. Unit |
|----------|------------|
| 286-890 | 1 |

Component module, with fuse, for (5 x 20) mm microfuse, nominal voltage: 230 VAC/DC, green neon lamp

| Item No. | Pack. Unit |
|----------|------------|
| 286-891 | 1 |

Technical Data

| | |
|---|----------------|
| Operating voltage | 24 VAC/DC |
| Max. fuse capacity | 6.3 A |
| Operating power | 100 mW |
| Nominal voltage | 250 V |
| Rated impulse voltage | 4 kV |
| Pollution degree | 3 |
| Ambient operating temperature | -25 ... +40 °C |
| Leakage current in case of a blown fuse | 5 mA |
| Test voltage | 2.5 kV |

| | |
|---|----------------|
| Operating voltage | 230 VAC/DC |
| Max. fuse capacity | 6.3 A |
| Operating power | 100 mW |
| Nominal voltage | 250 V |
| Rated impulse voltage | 4 kV |
| Pollution degree | 3 |
| Ambient operating temperature | -25 ... +40 °C |
| Leakage current in case of a blown fuse | 0.5 mA |
| Test voltage | 2.5 kV |

| | |
|---|----------------|
| Operating voltage | 230 VAC/DC |
| Max. fuse capacity | 6.3 A |
| Operating power | 100 mW |
| Nominal voltage | 250 V |
| Rated impulse voltage | 4 kV |
| Pollution degree | 3 |
| Ambient operating temperature | -25 ... +40 °C |
| Leakage current in case of a blown fuse | 0.5 mA |
| Test voltage | 2.5 kV |

Accessories (Selection)

| WSB marker card | Marking | Item No. | Pack. Unit |
|---|------------|----------|------------|
| 5 cards, 10 strips with 10 markers each | F1 ... F10 | 209-787 | 5 |
| | 1 ... 10 | 209-702 | 5 |
| | +/- | 209-652 | 5 |

| Marking | Item No. | Pack. Unit |
|------------|----------|------------|
| F1 ... F10 | 209-787 | 5 |
| 1 ... 10 | 209-702 | 5 |
| +/- | 209-652 | 5 |

| Marking | Item No. | Pack. Unit |
|------------|----------|------------|
| F1 ... F10 | 209-787 | 5 |
| 1 ... 10 | 209-702 | 5 |
| +/- | 209-652 | 5 |

| Terminal Block for Pluggable Modules | Width | Item No. | Pack. Unit |
|--|-------|----------|------------|
| with 2-conductor terminal blocks, orange separator ① | 12 mm | 280-618 | 1 |
| with 4-conductor terminal blocks, orange separator ② | 12 mm | 280-608 | 1 |
| with 4-conductor terminal blocks, marking plate ② | 15 mm | 280-762 | 1 |

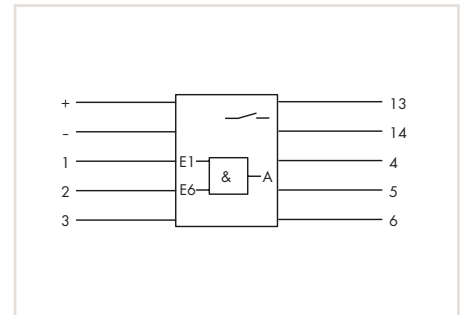
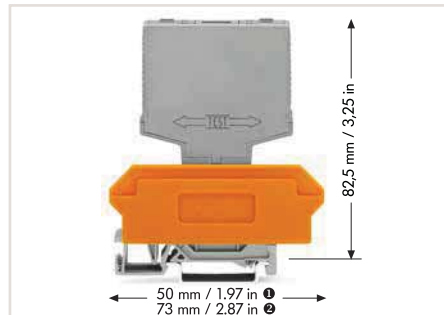
Conductor range: 0.08 ... 2.5 mm² / 28 ... 14 AWG
Strip length: 8 ... 9 mm / 0.31 ... 0.35 inch

| Width | Item No. | Pack. Unit |
|-------|----------|------------|
| 12 mm | 280-618 | 1 |
| 12 mm | 280-608 | 1 |
| 15 mm | 280-762 | 1 |

| Width | Item No. | Pack. Unit |
|-------|----------|------------|
| 12 mm | 280-618 | 1 |
| 12 mm | 280-608 | 1 |
| 15 mm | 280-762 | 1 |

Pluggable Modules – AND Gate

286 Series



AND gate module,
with 6 inputs

| Item No. | Pack. Unit |
|----------|------------|
| 286-826 | 1 |

Technical Data

| | |
|-----------------------------------|-----------------|
| Operating voltage | 24 VDC |
| Operating voltage range | 24 ... 27.5 VDC |
| Input voltage (gate) | 24 VDC |
| Power consumption at U_N | max. 34.6 mA |
| Relay output | 1 make contact |
| Max. switching voltage | 250 VAC/120 VDC |
| Max. continuous current | 3 A |
| Max. switching power (resistive) | 120 W / 750 VA |
| Dielectric strength, input/output | 2.5 kV |
| Nominal voltage | 250 V |
| Rated impulse voltage | 4 kV |
| Pollution degree | 2 |
| Ambient operating temperature | -25 ... +40 °C |

Accessories (Selection)

WSB marker card

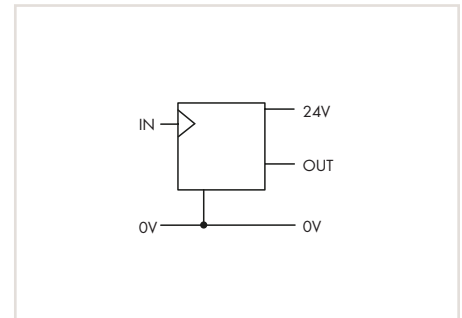
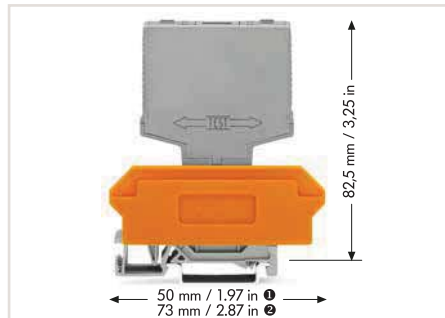
| Marking | Item No. | Pack. Unit |
|---|----------|------------|
| 5 cards, 10 strips with 10 markers each | | |
| D | 209-783 | 5 |
| 1 ... 10 | 209-702 | 5 |
| +, -, 1, 2, 3, 13, 14, 4, 5, 6 | 249-608 | 5 |

Terminal Block for Pluggable Modules

| Width | Item No. | Pack. Unit | |
|---|----------|------------|---|
| with 2-conductor terminal blocks, orange separator ① | 27 mm | 280-639 | 1 |
| with 4-conductor terminal blocks, orange separator ② | 27 mm | 280-629 | 1 |
| with 4-conductor terminal blocks, marking plate ② | 30 mm | 280-765 | 1 |
| Conductor range: 0.08 ... 2.5 mm ² / 28 ... 14 AWG | | | |
| Strip length: 8 ... 9 mm / 0.31 ... 0.35 inch | | | |

Pluggable Modules – Flip-Flop

286 Series



Flip-Flop module,
nominal voltage: 24 VDC

| | Item No. | Pack. Unit |
|--|----------|------------|
| | 286-825 | 1 |

Technical Data

| | |
|-------------------------------|-----------------------|
| Input voltage | 24 VDC ($\pm 10\%$) |
| Input current | 0.25 mA |
| Input voltage ("high" signal) | > 7 V |
| Input voltage ("low" signal) | < 3 V |
| Pulse frequency | 5 kHz |
| Min. output voltage | $U_B - 1.5\text{ V}$ |
| Max. output current | 0.5 A |
| Operating voltage | 24 VDC |
| Operating voltage range | 20 ... 30 VDC |
| Power consumption | 7.5 mA |
| Reverse voltage (transistor) | 80 V |
| Test voltage (input/output) | 2.5 kV |
| Nominal voltage | 250 V |
| Rated impulse voltage | 4 kV |
| Pollution degree | 2 |
| Ambient operating temperature | 0 ... +55 °C |

Accessories (Selection)

| Terminal Block for Pluggable Modules | Width | Item No. | Pack. Unit |
|--|-------|----------|------------|
| with 2-conductor terminal blocks, orange separator ① | 17 mm | 280-619 | 1 |
| with 4-conductor terminal blocks, orange separator ② | 17 mm | 280-609 | 1 |
| with 4-conductor terminal blocks, marking plate ② | 20 mm | 280-763 | 1 |
| Conductor range: 0.08 ... 2.5 mm ² / 28 ... 14 AWG Strip length: 8 ... 9 mm / 0.31 ... 0.35 inch | | | |